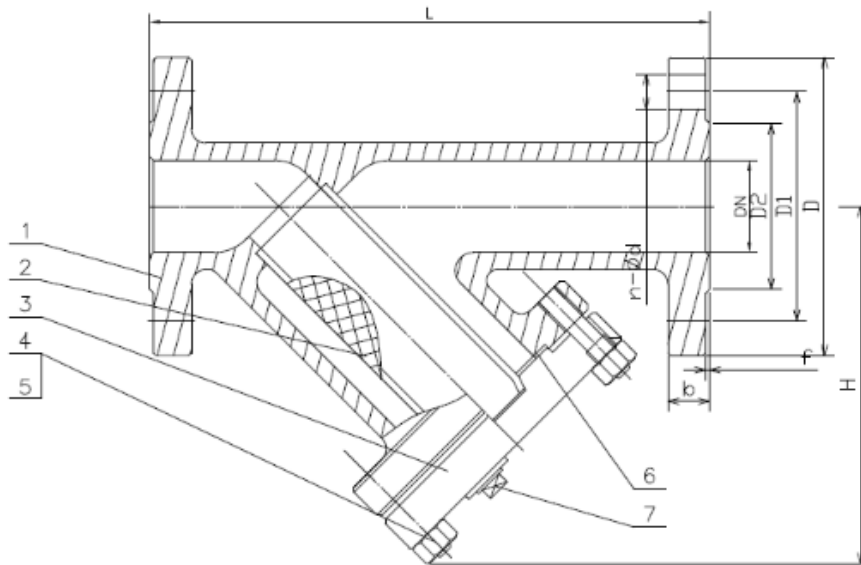


TYPE: DSF0102

Schmutzfänger DN15 - DN40, PN10

Strainer DN15 - DN40, PN10



Technical Specification:

1. Design and machining in accordance with EN1984
2. Inspection and test in accordance with EN12266-1
3. Face to Face dimension in accordance with EN558-1
4. Dimension of connection end accordance with EN1092-1

DRW Industrietechnik GmbH

Bodenschwinger Str. 125

D-44357 Dortmund

Telefon: +49 2 31 - 92 71 44-0

info@drw-armaturen.de

www.drw-armaturen.de



Abmessungen / Dimensions:

| DN | L | H | D | D1 | D2 | n-ø | b | f | Plug |
|----|-----|-----|-----|-----|----|-------|----|---|-------|
| 15 | 130 | 90 | 95 | 65 | 45 | 4-ø14 | 16 | 2 | 1/2"G |
| 20 | 150 | 90 | 105 | 75 | 58 | 4-ø14 | 18 | 2 | 1/2"G |
| 25 | 160 | 115 | 115 | 85 | 68 | 4-ø14 | 18 | 2 | 1/2"G |
| 32 | 180 | 130 | 140 | 100 | 78 | 4-ø18 | 18 | 2 | 1/2"G |
| 40 | 200 | 155 | 150 | 110 | 88 | 4-ø18 | 18 | 2 | 1/2"G |

Materialien / Materials:

| No. | Part Name | Material |
|-----|------------|-----------------|
| 1 | Body | 1.0619 |
| 2 | Screen | 1.4301 |
| 3 | Bonnet | 1.0619 |
| 4 | Body Bolt | YK |
| 5 | Bonnet Nut | YK |
| 6 | Gasket | Graphite+1.4301 |
| 7 | Plug | 1.0460 |

DRW Industrietechnik GmbH

Bodenschwingher Str. 125

D-44357 Dortmund

Telefon: +49 2 31 - 92 71 44-0

info@drw-armaturen.de

www.drw-armaturen.de

