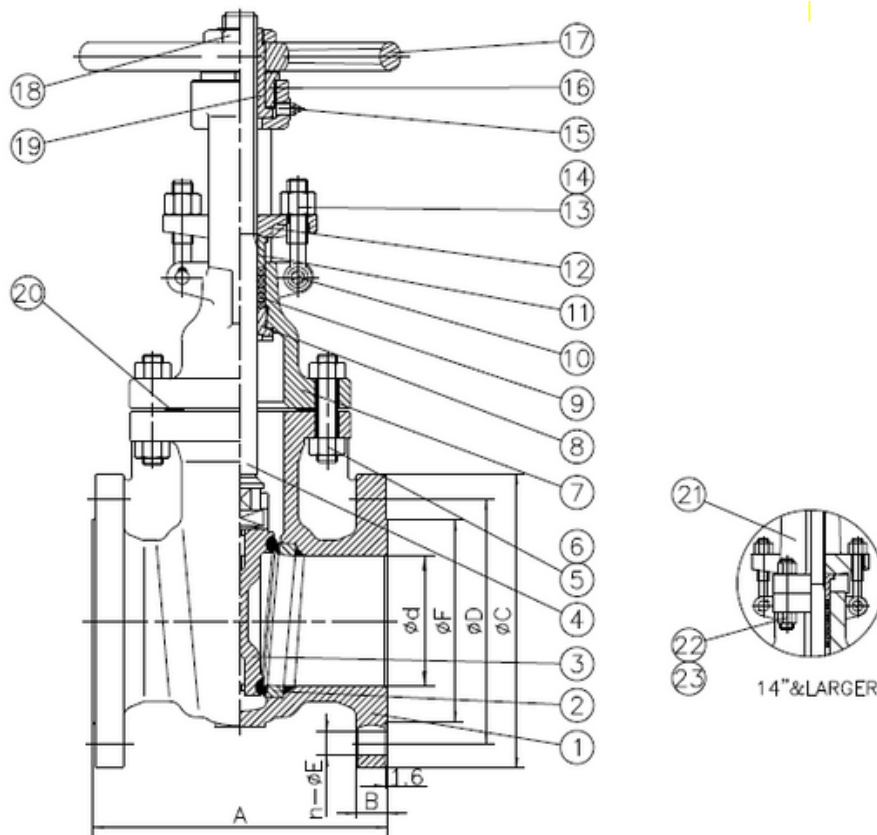


## TYPE: AAS1437

ANSI Absperrschieber 2" – 24" Class150

ANSI Gate Valve 2" – 24" Class150



### Technical Specification:

1. Design and machining acc. API600
2. Inspection and test acc. API598
3. Face to Face acc. B16.10
4. Dimension of connection end flange acc. B16.5 (RF)

### **DRW Industrietechnik GmbH**

Bodenschwinger Str. 125

D-44357 Dortmund

Telefon: +49 2 31 - 92 71 44-0

info@drw-armaturen.de

[www.drw-armaturen.de](http://www.drw-armaturen.de)



## Abmessungen / Dimensions:

SIZE	d	A	B	C	D	n	E	F
2"	50.8	178	16	152	120.5	4	19	92
2.5"	63.5	190	17.5	178	139.5	4	19	105
3"	76.2	203	19	190	152.5	4	19	127
4"	101.6	229	24	229	190.5	8	19	157
6"	152.4	267	26	279	241.5	8	22	216
8"	203.2	292	29	343	298.5	8	22	270
10"	254	330	31	406	362	12	25	324
12"	304.8	356	32	483	432	12	25	381
14"	336.6	381	35	533	476	12	29	413
16"	387.4	406	37	597	540	16	29	470
18"	438.2	432	40	635	578	16	32	533
20"	489	457	43	699	635	20	32	584
24"	590.6	508	48	813	749.5	20	35	692

## Materialien / Materials:

No.	Part Name	Material
1	Body	ASTM A351-CF8M+STL
2	Gate	ASTM A351-CF8M
3	Steam	ASTM A182-F316
4	Body/Bonnet Bolts	ASTM A193-B8
5	Body/ Bonnet Nuts	ASTM A194-8
6	Bonnet	ASTM A351-CF8M
7	Packing	Graphite
8	Pin	ASTM A276-410
9	Packing Gland	ASTM A276-316
10	Gland Flange	ASTM A351-CF8M
11	Packing Bolts	ASTM A193-B8
12	Packing Nuts	ASTM A194-8
13	StemNut Grease Injec.	ASTM A570 Gr.A
14	Gland Nut	ASTM A276-410
15	Hand Wheel	Nodular Cast Iron
16	Hand Wheel Nut	ASTM A276-410
17	Stem Nut	ASTM A439 D-2
18	Bonnet Gasket	SS316+Graphite
19	Yoke	ASTM A351-CF8M
20	Bonnet/Yoke Bolts	ASTM A193-B8
21	Bonnet/Yoke Nuts	ASTM A194-8

### **DRW Industrietechnik GmbH**

Bodenschwinger Str. 125

D-44357 Dortmund

Telefon: +49 2 31 - 92 71 44-0

info@drw-armaturen.de

[www.drw-armaturen.de](http://www.drw-armaturen.de)

