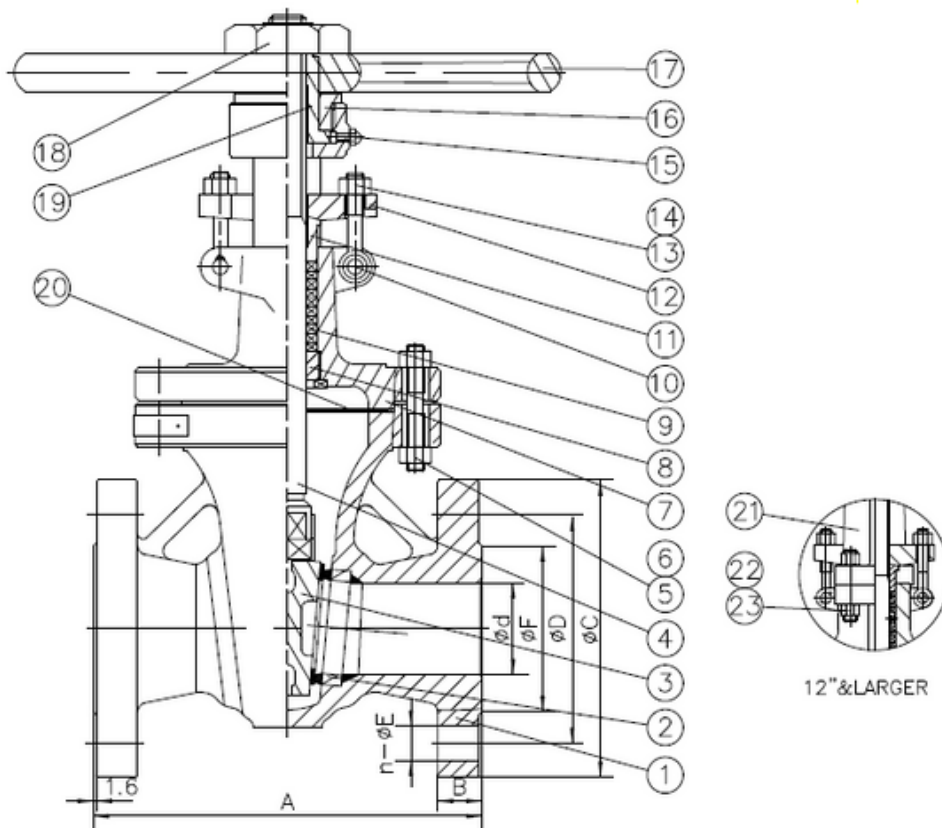


TYPE: AAS1529

ANSI Absperrschieber 2" – 24" Class300

ANSI Gate Valve 2" – 24" Class300



Technical Specification:

1. Design and machining acc. API600
2. Inspection and test acc. API598
3. Face to Face acc. B16.10
4. Dimension of connection end flange acc. B16.5 (RF)

DRW Industrietechnik GmbH

Bodenschwinger Str. 125

D-44357 Dortmund

Telefon: +49 2 31 - 92 71 44-0

info@drw-armaturen.de

www.drw-armaturen.de



Abmessungen / Dimensions:

SIZE	d	A	B	C	D	n	E	F
2"	50.8	216	23	165	127	8	19	92
2.5"	63.5	241	26	190	149	8	22	105
3"	76.2	283	29	210	168.5	8	22	127
4"	101.6	305	32	254	200	8	22	157
6"	152.4	403	37	318	270	12	22	216
8"	203.2	419	42	381	330	12	25	270
10"	254	457	48	445	387.5	16	29	324
12"	304.8	502	51	520	451	16	32	381
14"	336.6	762	54	584	514.5	20	35	413
16"	387.4	838	58	648	571.5	20	35	470
18"	431.8	914	61	711	628.5	24	35	533
20"	482.6	991	64	775	686	24	35	584
24"	584.2	1143	70	914	813	24	41	692

Materialien / Materials:

No.	Part Name	Material
1	Body	ASTM A352-LCB
2	Seat Ring	ASTM A350-LF2+STL
3	Gate	ASTM A352-LCB+CR13
4	Stem	ASTM A182-F6a
5	Body/Bonnet Bolts	ASTM A320-L7
6	Body/ Bonnet Nuts	ASTM A194-7
7	Bonnet	ASTM A352-LCB
8	Backseat Bushing	ASTM A276-410
9	Packing	Graphite
10	Pin	ASTM A29-1035
11	Packing Gland	ASTM A276-410
12	Gland Flange	ASTM A352-LCB
13	Packing Bolts	ASTM A320-L7
14	Packing Nuts	ASTM A194-7
15	StemNut Grease Injec.	ASTM A570 Gr.A
16	Gland Nut	ASTM A29-1035
17	Hand Wheel	Nodular Cast Iron
18	Hand Wheel Nut	ASTM A29-1035
19	Stem Nut	ASTM A439 D-2
20	Bonnet Gasket	SS304+Graphite
21	Yoke	ASTM A352-LCB
22	Bonnet/Yoke Bolts	ASTM A320-L7
23	Bonnet/Yoke Nuts	ASTM A194-7

DRW Industrietechnik GmbH

Bodenschwinger Str. 125

D-44357 Dortmund

Telefon: +49 2 31 - 92 71 44-0

info@drw-armaturen.de

www.drw-armaturen.de

