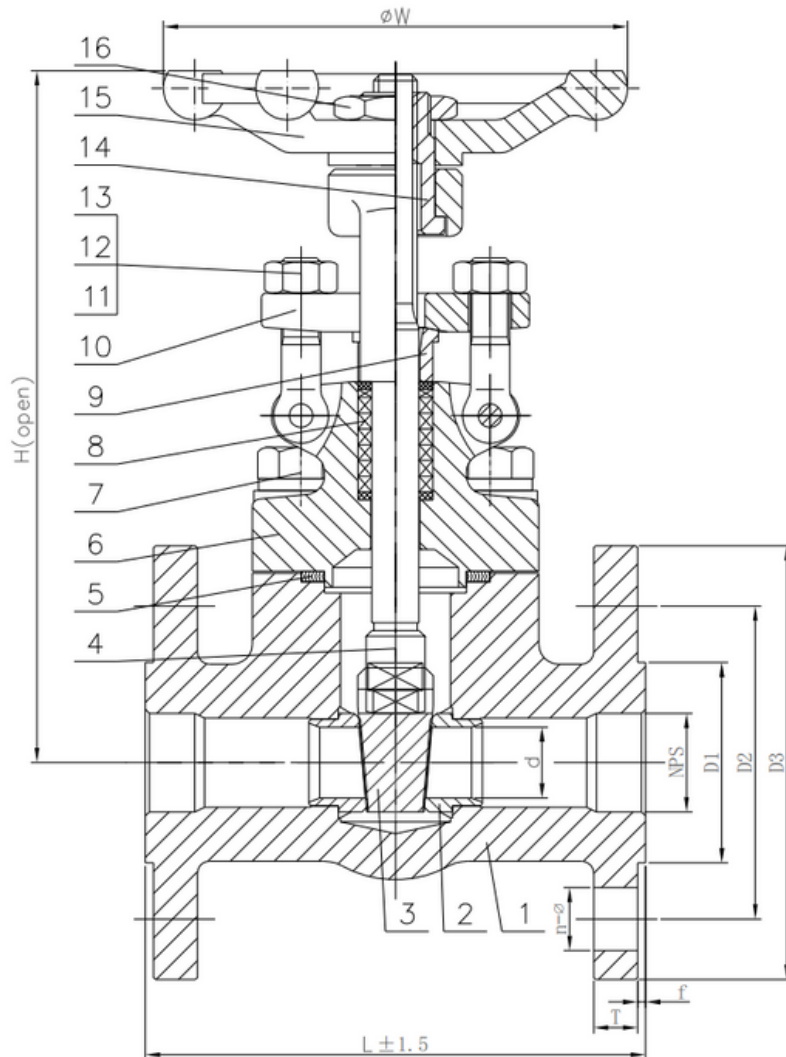


TYPE: AKS1523

ANSI Kleinschieber 1/2" – 2" Cl.300

ANSI Forged Gate Valve 1/2" – 2" Cl.300



Technical Specification:

1. Design and manufacture: API602
2. Inspection and test acc. API598
3. Face to Face acc. ASME B16.10
4. Dimension of connection end flange acc. B16.5

DRW Industrietechnik GmbH

Bodenschwinger Str. 125

D-44357 Dortmund

Telefon: +49 2 31 - 92 71 44-0

info@drw-armaturen.de

www.drw-armaturen.de



Abmessungen / Dimensions:

SIZE	L	W	H (open)	d	D1	D2	D3	T	f	n-ø
1/2"	140	100	159	10.0	34.9	66.3	95	12.7	2	4-16
3/4"	152	100	162	13.5	42.9	82.6	115	14.3	2	4-19
1"	165	125	196	18.0	50.8	88.9	125	15.9	2	4-19
1-1/4"	178	160	223	23.0	63.5	98.4	135	17.5	2	4-19
1-1/2"	190	160	249	28.5	73.0	114.3	155	19.1	2	4-22
2"	216	180	285	36.0	92.1	127.0	165	20.7	2	8-19

Materialien / Materials:

No.	Part Name	Material
1	Body	F11
2	Seat	13Cr + STL
3	Disc	13Cr
4	Stem	13Cr
5	Gasket	SS304 + Graphite
6	Bonnet	F11
7	Bolt	A193 B16
8	Packing Ring	Graphite
9	Gland	13Cr
10	Gland Flange	F11
11	Bolt	A193 B16
12	Nut	A194 4
13	Pin	Cr 13
14	Stem nut	1Cr 13
15	Handwheel	A197
16	H.W Lock nut	Carbon Steel

DRW Industrietechnik GmbH

Bodenschwinger Str. 125

D-44357 Dortmund

Telefon: +49 2 31 - 92 71 44-0

info@drw-armaturen.de

www.drw-armaturen.de

