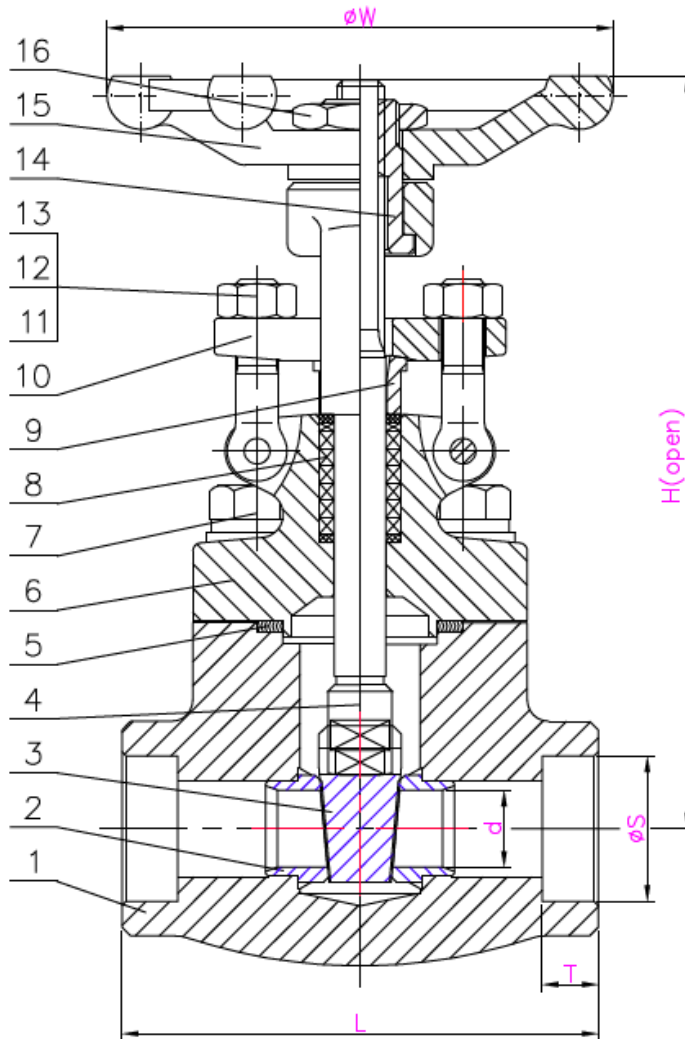


TYPE: AKS1832- NPT

ANSI Kleinschieber 1/2 – 2“ Class800

ANSI Gate Valve 1/2 – 2“ Class800



Technical Specification:

1. Design and machining acc. API 602
2. Inspection and test acc. API 598
3. Face to Face acc. Manufacturer Standard
4. Dimension of connection NPT acc. ASME B1.20.1

DRW Industrietechnik GmbH

Bodenschwinger Str. 125

D-44357 Dortmund

Telefon: +49 2 31 - 92 71 44-0

info@drw-armaturen.de

www.drw-armaturen.de



Abmessungen / Dimensions:

SIZE	L	W	H (open)	d	øS	T
1/2"	79	100	158	10.0	21.8	10
3/4"	92	100	162	13.5	27.2	13
1"	111	125	196	18.0	33.9	13
1-1/4"	120	160	221	23.0	42.7	13
1-1/2"	120	160	248	28.5	48.8	13
2"	140	180	285	36.0	61.2	16

Materialien / Materials:

No.	Part Name	Material
1	Body	F304L
2	Seat	F316
3	Disc	F316
4	Stem	F316
5	Gasket	SPW X2CrNiMo17-12-2/PTFE
6	Bonnet	F304L
7	Bolt	A193 B8 CL1
8	Packing	PTFE/Graphite
9	Gland	F316
10	Gland Flange	F304L
11	Bolt	A193 B8 CL1
12	Nut	A194 8M
13	Pin	1025
14	Stem Nut	1Cr13
15	Hand Wheel	A197
16	H.W Lock Nut	Carbon Steel

DRW Industrietechnik GmbH

Bodenschwinger Str. 125

D-44357 Dortmund

Telefon: +49 2 31 - 92 71 44-0

info@drw-armaturen.de

www.drw-armaturen.de

