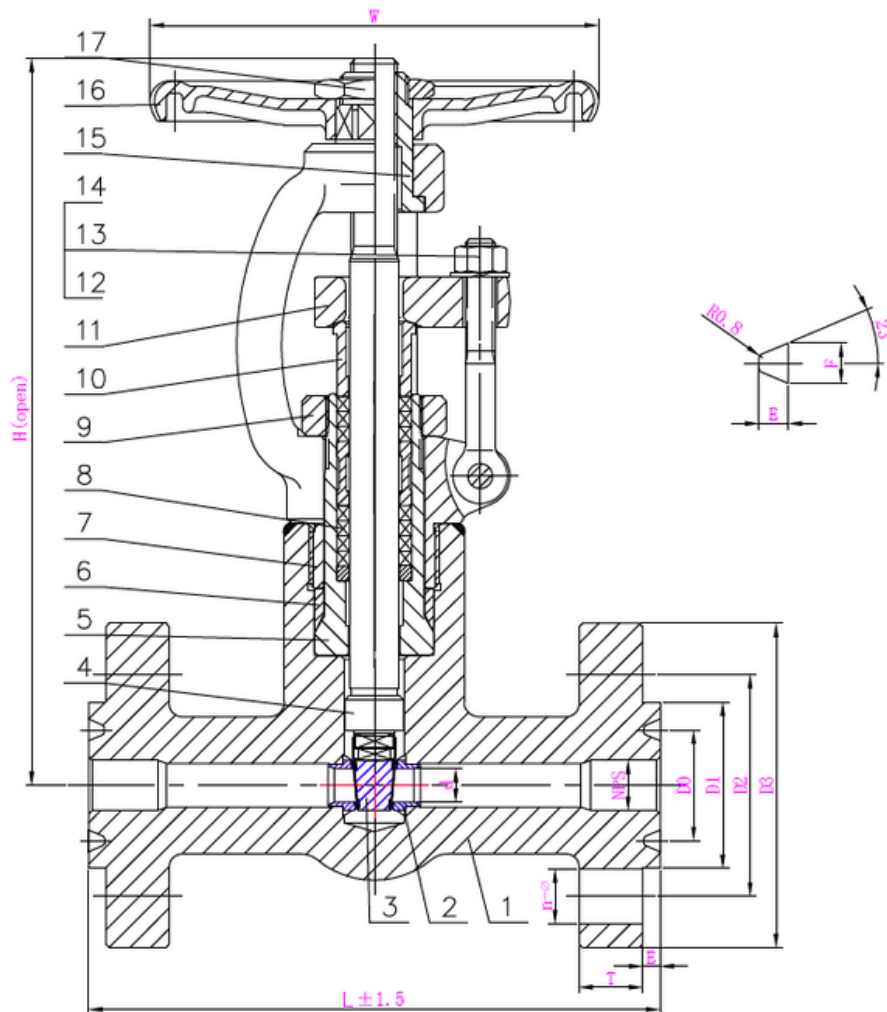


TYPE: AKS2131

ANSI Kleinschieber 1/2 – 2" Class2500

ANSI Gate Valve 1/2 – 2" Class2500



Technical Specification:

1. Design and machining ASME B16.34
2. Inspection and test API 598
3. Face to Face ASME B16.10
4. Dimension of connection end flange ASME B16.5

DRW Industrietechnik GmbH

Bodenschwinger Str. 125

D-44357 Dortmund

Telefon: +49 2 31 - 92 71 44-0

info@drw-armaturen.de

www.drw-armaturen.de



Abmessungen / Dimensions:

SIZE	L	W	H (open)	d	D0	D1	D2	D3	T	E	F	n-ø
1/2"	264	250	321	10.0	42.88	65.0	88.9	135	30.2	6.35	8.74	4-22
3/4"	273	250	321	13.5	50.80	73.0	95.2	140	31.8	6.35	8.74	4-22
1"	308	25	326	18.0	60.33	82.5	108.0	160	35.0	6.35	8.74	4-26
1-1/4"	352	300	415	23.0	72.23	102	130.2	185	38.1	7.92	11.91	4-29
1-1/2"	387	300	506	28.5	82.55	114	146.0	205	44.5	7.92	11.91	4-32
2"	454	350	521	36.0	101.6	133	171.4	235	50.9	7.92	11.91	8-29

Materialien / Materials:

No.	Part Name	Material
1	Body	F316
2	Seat	F316+STL
3	Disc	F316
4	Stem	F316
5	Sealing Seat	F316
6	Sealing Ring	SS316
7	Bonnet	F316
8	Packing	Graphite
9	P.s Nut	F316
10	Gland	F316
11	Gland Flang	F316
12	Bolt	A193 B8
13	Nut	A194 8
14	Pin	1Cr13
15	Stem Nut	1Cr13
16	Hand Wheel	A197
17	H.W Lock Nut	Carbon Steel

DRW Industrietechnik GmbH

Bodelschwingher Str. 125

D-44357 Dortmund

Telefon: +49 2 31 - 92 71 44-0

info@drw-armaturen.de

www.drw-armaturen.de

