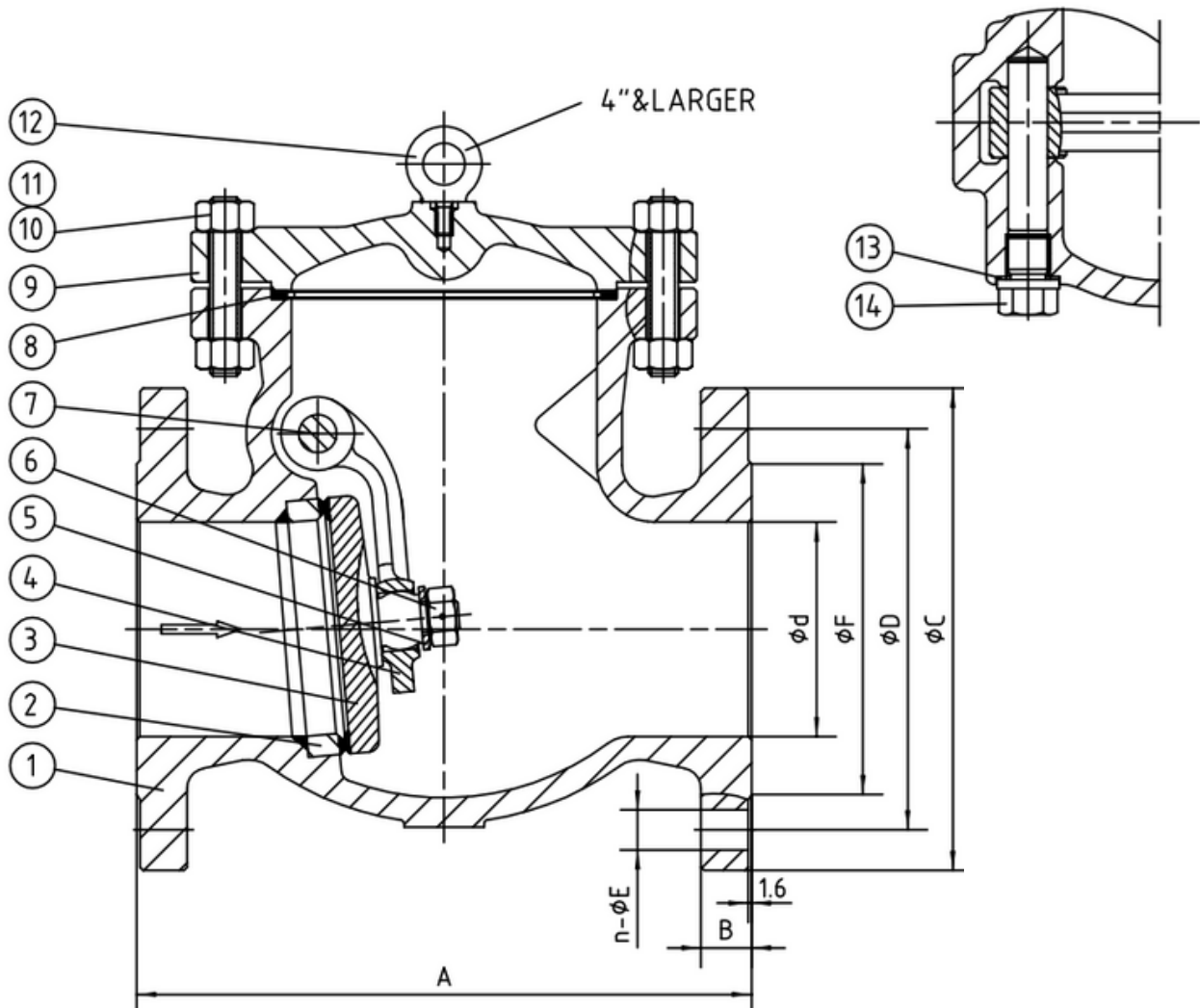


## TYPE: ARK1527

ANSI Rückschlagklappe 2" – 12" Cl.300

ANSI Swing Check Valve 2" – 12" Cl.300



### Technical Specification:

1. Valve According to BS: 1868
2. Inspection and test acc. API598
3. Face to Face acc. ASME B16.10
4. Dimension of connection end flange acc. ASME B16.5

### **DRW Industrietechnik GmbH**

Bodenschwinger Str. 125

D-44357 Dortmund

Telefon: +49 2 31 - 92 71 44-0

info@drw-armaturen.de

[www.drw-armaturen.de](http://www.drw-armaturen.de)



## Abmessungen / Dimensions:

SIZE	d	A	B	C	D	n	E	F
2"	50.8	267	23	165	127	8	19	92
3"	76.2	318	29	210	168.5	8	22	127
4"	101.6	356	32	255	200	8	22	157
6"	152.4	444	37	320	270	12	22	216
8"	203.2	533	42	380	330	12	25	270
10"	254	622	48	445	387.5	16	29	324
12"	304.8	711	51	520	451	16	32	381

## Materialien / Materials:

No.	Part Name	Material
1	Body	ASTM A217-WC6
2	Seat ring	ASTM A182-F11 + STL
3	Disc	ASTM A182-F11 + Cr13
4	ARM	ASTM A217-WC6
5	Disc washer	ASTM A276-410
6	Disc nut	ASTM A276-410
7	Hinge pin	ASTM A182-F6a
8	Cover gasket	SS304 + Graphite
9	Cover	ASTM A217-WC6
10	Cover STUDS	ASTM A193-B16
11	Cover nuts	ASTM A194-4
12	Eye bolt	ASTM A29-1035
13	Plug gasket	SS304 + Graphite
14	Plug	ASTM A276-410

### **DRW Industrietechnik GmbH**

Bodenschwinger Str. 125

D-44357 Dortmund

Telefon: +49 2 31 - 92 71 44-0

info@drw-armaturen.de

[www.drw-armaturen.de](http://www.drw-armaturen.de)

