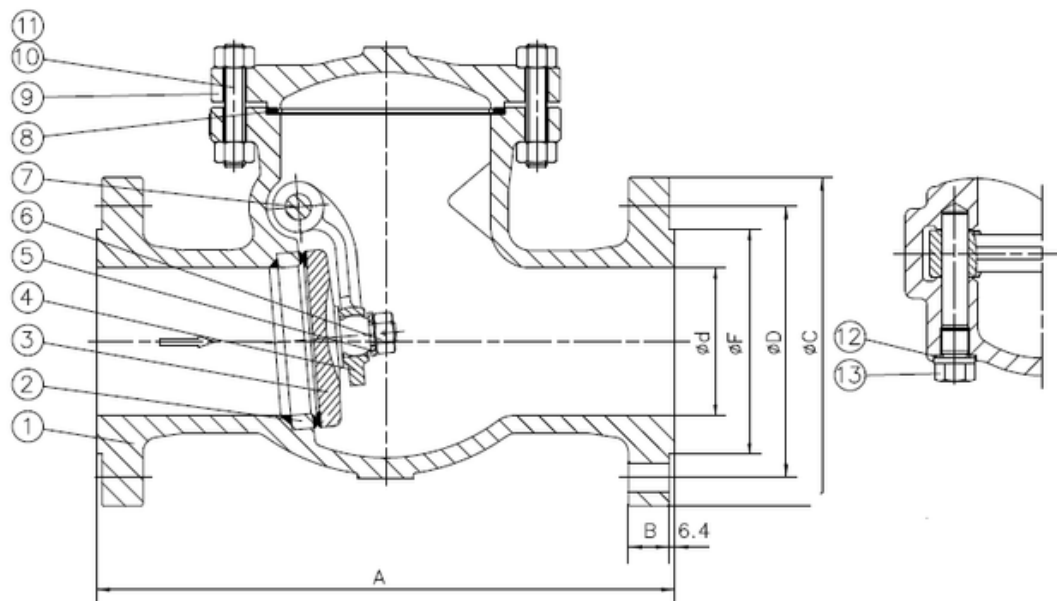


TYPE: ARK1729

Rückschlagklappe 2"- 3" Class600

Swing Check Valve 2"- 3" Class600



Technical Specification:

1. Design and machining BS 1868
2. Inspection and test acc. API 598
3. Face to Face acc. ASME B16.10
4. Dimension of connection end flange acc. ASME B16.5

DRW Industrietechnik GmbH

Bodenschwinger Str. 125

D-44357 Dortmund

Telefon: +49 2 31 - 92 71 44-0

info@drw-armaturen.de

www.drw-armaturen.de



Abmessungen / Dimensions:

SIZE	d	A	B	C	D	n	E	F
2"	50.8	292	26	165	127	8	19	92
2.5"	64	330	29	190	149	8	22	105
3"	76.2	356	32	210	168	8	22	127

Materialien / Materials:

No.	Part Name	Material
1	Body	ASTM A352-LCB
2	Seat Ring	ASTM A350-LF2+STL
3	Disc	ASTM A350-LF2+Cr13
4	Arm	ASTM A352-LCB
5	Disc Washer	ASTM A276-410
6	Disc Nut	ASTM A276-410
7	Hinge Pin	ASTM A182-F6a
8	Cover Gasket	SS304+Graphite
9	Cover	ASTM A352-LCB
10	Cover Studs	ASTM A320-L7
11	Cover Nuts	ASTM A194-7
12	Eye Bolt	ASTM A29-1035
13	Plug	ASTM A29-1035

DRW Industrietechnik GmbH

Bodenschwinger Str. 125

D-44357 Dortmund

Telefon: +49 2 31 - 92 71 44-0

info@drw-armaturen.de

www.drw-armaturen.de

