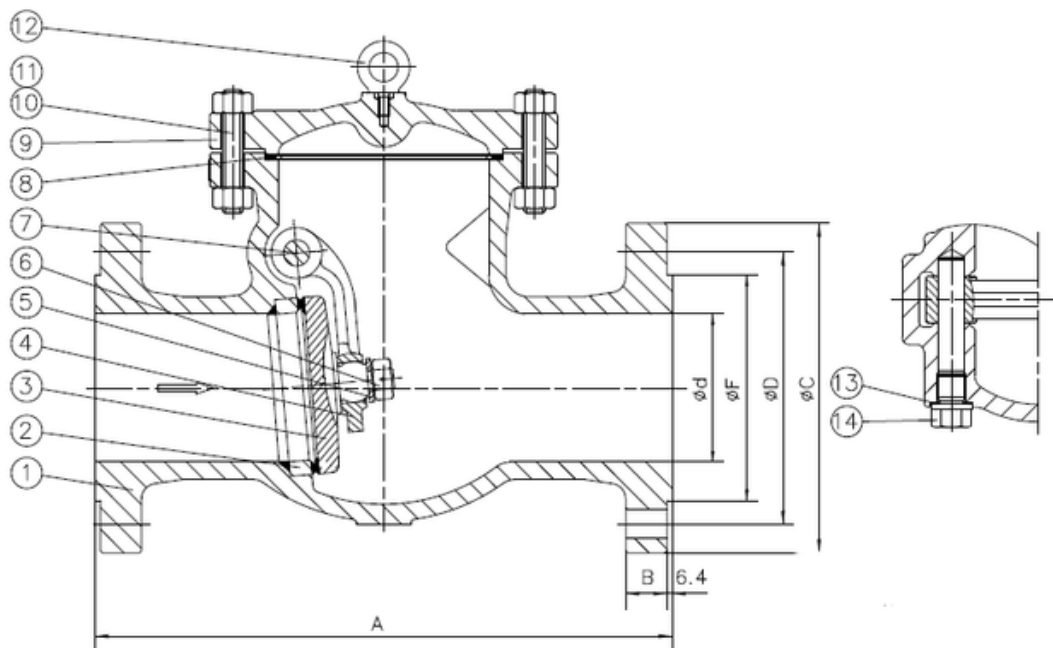


## TYPE: ARK1729

Rückschlagklappe 4"- 24" Class600  
Swing Check Valve 4"- 24" Class600



### Technical Specification:

1. Design and machining BS 1868
2. Inspection and test acc. API 598
3. Face to Face acc. ASME B16.10
4. Dimension of connection end flange acc. ASME B16.5

### **DRW Industrietechnik GmbH**

Bodenschwinger Str. 125

D-44357 Dortmund

Telefon: +49 2 31 - 92 71 44-0

info@drw-armaturen.de

[www.drw-armaturen.de](http://www.drw-armaturen.de)



## Abmessungen / Dimensions:

| SIZE | d     | A    | B   | C   | D   | n  | E  | F   |
|------|-------|------|-----|-----|-----|----|----|-----|
| 4"   | 101.6 | 432  | 38  | 275 | 216 | 8  | 25 | 157 |
| 6"   | 152.4 | 559  | 48  | 355 | 292 | 12 | 29 | 216 |
| 8"   | 199.9 | 660  | 56  | 420 | 349 | 12 | 32 | 270 |
| 10"  | 247.7 | 787  | 64  | 510 | 432 | 16 | 35 | 324 |
| 12"  | 298.5 | 838  | 67  | 560 | 489 | 20 | 35 | 381 |
| 14"  | 326.9 | 889  | 70  | 605 | 527 | 20 | 35 | 417 |
| 16"  | 374.7 | 991  | 77  | 685 | 603 | 20 | 41 | 470 |
| 18"  | 419.1 | 1092 | 83  | 745 | 654 | 20 | 44 | 533 |
| 20"  | 463.6 | 1194 | 89  | 815 | 724 | 24 | 44 | 584 |
| 24"  | 558.8 | 1397 | 102 | 940 | 838 | 24 | 52 | 692 |

## Materialien / Materials:

| No. | Part Name    | Material           |
|-----|--------------|--------------------|
| 1   | Body         | ASTM A352-LCB      |
| 2   | Seat Ring    | ASTM A350-LF2+STL  |
| 3   | Disc         | ASTM A350-LF2+Cr13 |
| 4   | Arm          | ASTM A352-LCB      |
| 5   | Disc Washer  | ASTM A276-410      |
| 6   | Disc Nut     | ASTM A276-410      |
| 7   | Hinge Pin    | ASTM A182-F6a      |
| 8   | Cover Gasket | SS304+Graphite     |
| 9   | Cover        | ASTM A352-LCB      |
| 10  | Cover Studs  | ASTM A320-L7       |
| 11  | Cover Nuts   | ASTM A194-7        |
| 12  | Eye Bolt     | ASTM A29-1035      |
| 13  | Plug Gasket  | SS304+Graphite     |
| 14  | Plug         | ASTM A29-1035      |

### **DRW Industrietechnik GmbH**

Bodenschwinger Str. 125

D-44357 Dortmund

Telefon: +49 2 31 - 92 71 44-0

info@drw-armaturen.de

[www.drw-armaturen.de](http://www.drw-armaturen.de)

