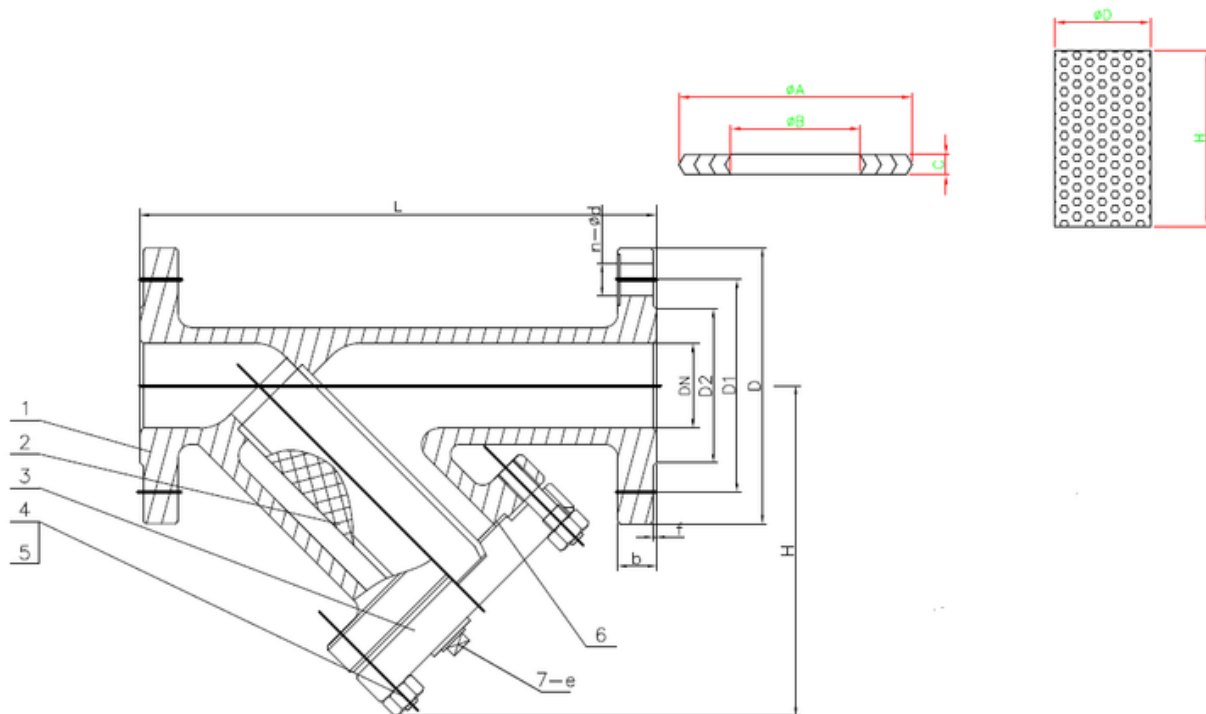


TYPE: ASF1437

Schmutzfänger 0,5"- 1,5" Class150

Strainer 0,5"- 1,5" Class150



Technical Specification:

1. Design and machining ANSI B16.34
2. Inspection and test acc. API 598
3. Face to Face acc. ANSI B16.10
4. Dimension of connection end flange acc. ANSI B16.5

DRW Industrietechnik GmbH

Bodelschwingher Str. 125

D-44357 Dortmund

Telefon: +49 2 31 - 92 71 44-0

info@drw-armaturen.de

www.drw-armaturen.de



Abmessungen / Dimensions:

SIZE	L	H	D	D1	D2	n-ød	b	f	e	A	B	C	D	H
1/2"	140	90	90	60.3	35	4-ø16	11.6	2	1/2" G	40	30	3	20	60
3/4"	152	90	100	70	43	4-ø16	13.2	2	1/2" G	45	35	3	25	70
1	165	115	110	79.4	51	4-ø16	14.7	2	1/2" G	50	40	3	30	70
1-1/4"	178	130	115	88.9	64	4-ø16	16.3	2	1/2" G	55	45	3	35	75
1-1/2"	190	155	125	98.4	73	4-ø16	17.9	2	1/2" G	65	55	3	45	95

Materialien / Materials:

No.	Part Name	Material
1	Body	CF8M
2	Screen	SS316
3	Bonnet	CF8M
4	Body Bolt	B8
5	Bonnet Nut	8
6	Gasket	Graphite+304
7	Plug	F316

DRW Industrietechnik GmbH

Bodenschwinger Str. 125

D-44357 Dortmund

Telefon: +49 2 31 - 92 71 44-0

info@drw-armaturen.de

www.drw-armaturen.de

