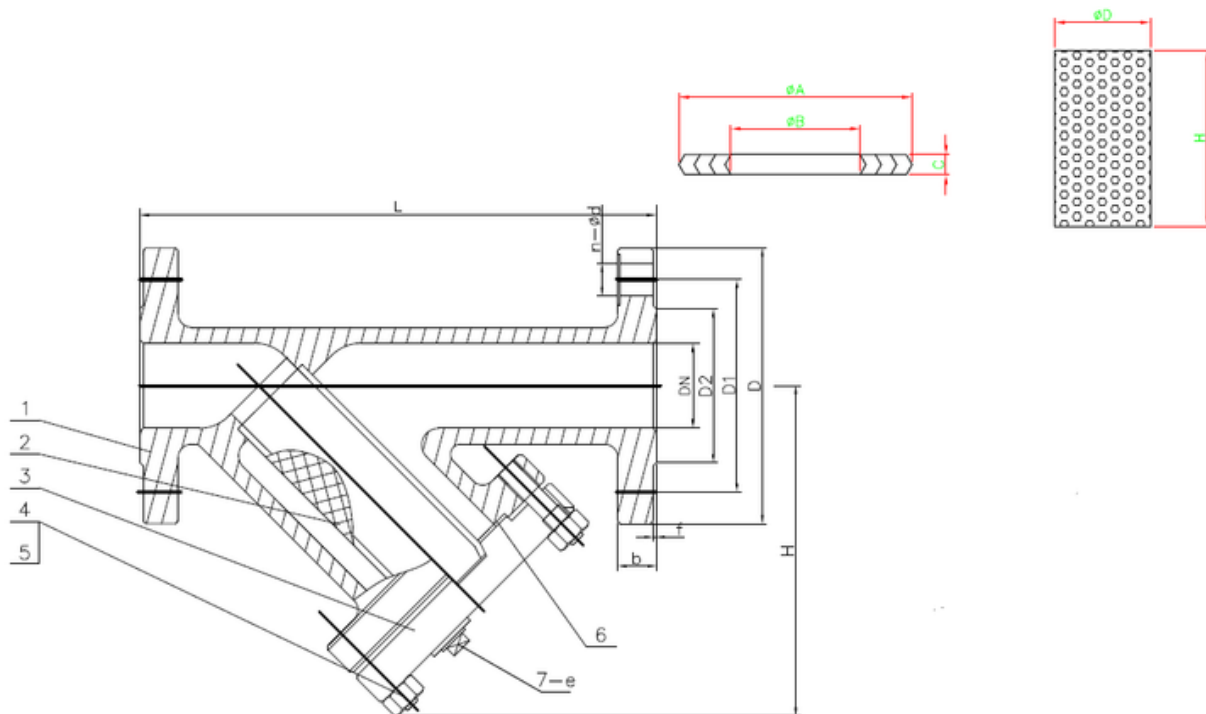


TYPE: ASF1521

Schmutzfänger 0,5"- 1,5" Class300

Strainer 0,5"- 1,5" Class300



Technical Specification:

1. Design and machining ANSI B16.34
2. Inspection and test acc. API 598
3. Face to Face acc. ANSI B16.10
4. Dimension of connection end flange acc. ANSI B16.5

DRW Industrietechnik GmbH

Bodenschwinger Str. 125

D-44357 Dortmund

Telefon: +49 2 31 - 92 71 44-0

info@drw-armaturen.de

www.drw-armaturen.de



Abmessungen / Dimensions:

SIZE	L	H	D	D1	D2	n-ød	b	f	e	A	B	C	D	H
1/2"	152	90	95	66.5	35	4-ø15	14.7	2	1/2" G	40	30	3	20	60
3/4"	178	95	115	82.5	43	4-ø19	16.3	2	1/2" G	45	35	3	25	70
1	203	120	125	89	51	4-ø19	17.9	2	1/2" G	50	40	3	30	70
1-1/4"	216	130	135	98.5	64	4-ø19	19.5	2	1/2" G	55	45	3	35	75
1-1/2"	229	145	155	114.5	73	4-ø22	21.1	2	1/2" G	65	55	3	45	95

Materialien / Materials:

No.	Part Name	Material
1	Body	ASTM A216 WCB
2	Screen	SS304
3	Bonnet	ASTM A216 WCB
4	Body Bolt	ASTM A193 B7
5	Bonnet Nut	ASTM A194 2H
6	Gasket	Graphite+304
7	Plug	ASTM A182 A105

DRW Industrietechnik GmbH

Bodenschwingher Str. 125

D-44357 Dortmund

Telefon: +49 2 31 - 92 71 44-0

info@drw-armaturen.de

www.drw-armaturen.de

