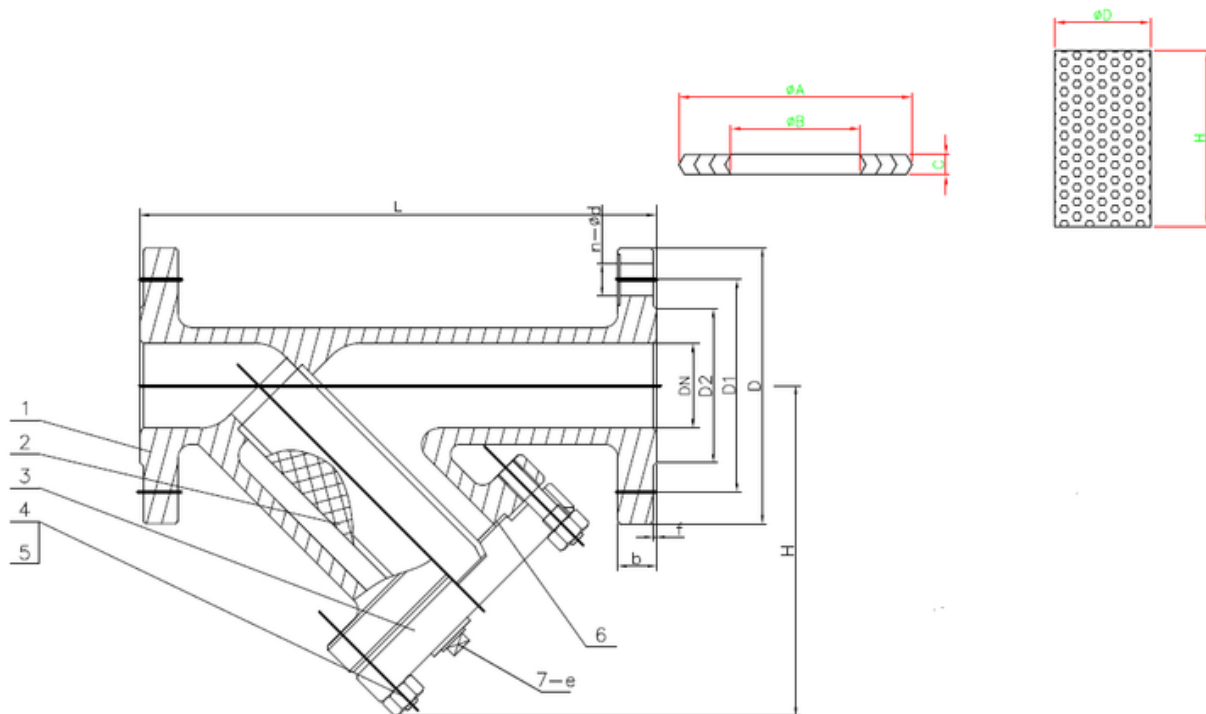


## TYPE: ASF1535

Schmutzfänger 0,5"- 1,5" Class300

Strainer 0,5"- 1,5" Class300



### Technical Specification:

1. Design and machining ANSI B16.34
2. Inspection and test acc. API 598
3. Face to Face acc. ANSI B16.10
4. Dimension of connection end flange acc. ANSI B16.5

### **DRW Industrietechnik GmbH**

Bodenschwinger Str. 125

D-44357 Dortmund

Telefon: +49 2 31 - 92 71 44-0

info@drw-armaturen.de

[www.drw-armaturen.de](http://www.drw-armaturen.de)



## Abmessungen / Dimensions:

SIZE	L	H	D	D1	D2	n-ød	b	f	e	A	B	C	D	H
1/2"	152	90	95	66.5	35	4-ø15	14.7	2	1/2" G	40	30	3	20	60
3/4"	178	95	115	82.5	43	4-ø19	16.3	2	1/2" G	45	35	3	25	70
1	203	120	125	89	51	4-ø19	17.9	2	1/2" G	50	40	3	30	70
1-1/4"	216	130	135	98.5	64	4-ø19	19.5	2	1/2" G	55	45	3	35	75
1-1/2"	229	145	155	114.5	73	4-ø22	21.1	2	1/2" G	65	55	3	45	95

## Materialien / Materials:

No.	Part Name	Material
1	Body	CF8
2	Screen	SS304
3	Bonnet	CF8
4	Body Bolt	B8
5	Bonnet Nut	8
6	Gasket	Graphite+304
7	Plug	F304

### **DRW Industrietechnik GmbH**

Bodenschwinger Str. 125

D-44357 Dortmund

Telefon: +49 2 31 - 92 71 44-0

info@drw-armaturen.de

[www.drw-armaturen.de](http://www.drw-armaturen.de)

