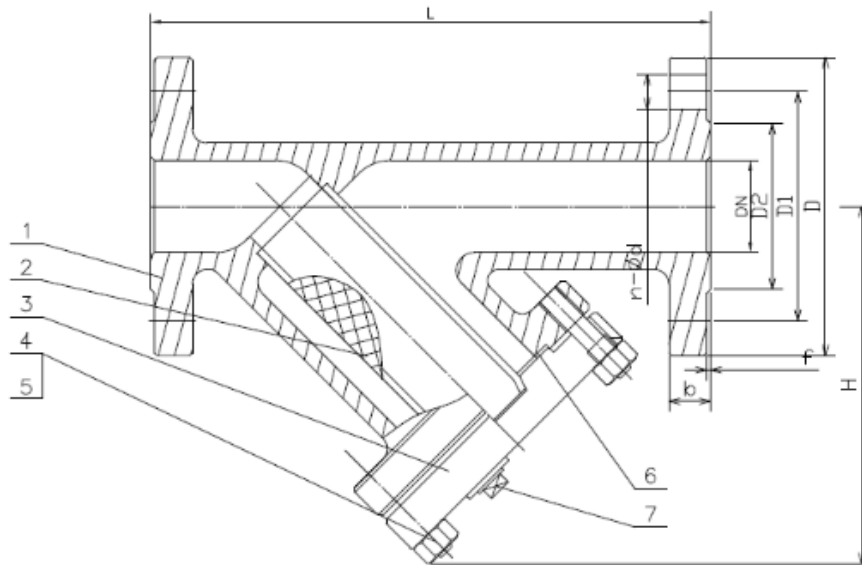


## TYPE: DSF0102

Schmutzfänger DN50 - DN600, PN10

Strainer DN50 - DN600, PN10



### Technical Specification:

1. Design and machining in accordance with EN1984
2. Inspection and test in accordance with EN12266-1
3. Face to Face dimension in accordance with EN558-1
4. Dimension of connection end accordance with EN1092-1

### DRW Industrietechnik GmbH

Bodenschwinger Str. 125

D-44357 Dortmund

Telefon: +49 2 31 - 92 71 44-0

info@drw-armaturen.de

[www.drw-armaturen.de](http://www.drw-armaturen.de)



## Abmessungen / Dimensions:

DN	L	H	D	D1	D2	n-ø	b	f	Plug
50	230	175	165	125	102	4-ø18	18	2	1/2"G
65	290	190	185	145	122	4-ø18	18	2	1/2"G
80	310	210	200	160	138	8-ø18	20	2	1/2"G
100	350	220	220	180	158	8-ø18	20	2	1/2"G
125	400	280	250	210	188	8-ø18	22	2	3/4"G
150	480	335	285	240	212	8-ø22	22	2	3/4"G
200	600	410	340	295	268	8-ø22	24	2	3/4"G
250	730	520	395	350	320	12-ø22	26	2	3/4"G
300	850	595	445	400	370	12-ø22	26	2	1"G
350	980	670	505	460	430	16-ø22	26	2	1"G
400	1100	780	565	515	482	16-ø26	26	2	1"G
450	1200	820	615	565	532	20-ø26	28	2	1"G
500	1250	900	670	620	585	20-ø26	28	2	1"G
600	1450	1020	780	725	685	20-ø30	34	2	1"G

## Materialien / Materials:

No.	Part Name	Material
1	Body	1.0619
2	Screen	1.4301
3	Bonnet	1.0619
4	Body Bolt	YK
5	Bonnet Nut	YK
6	Gasket	Graphite+1.4301
7	Plug	1.0460

### **DRW Industrietechnik GmbH**

Bodenschwingher Str. 125

D-44357 Dortmund

Telefon: +49 2 31 - 92 71 44-0

info@drw-armaturen.de

[www.drw-armaturen.de](http://www.drw-armaturen.de)

