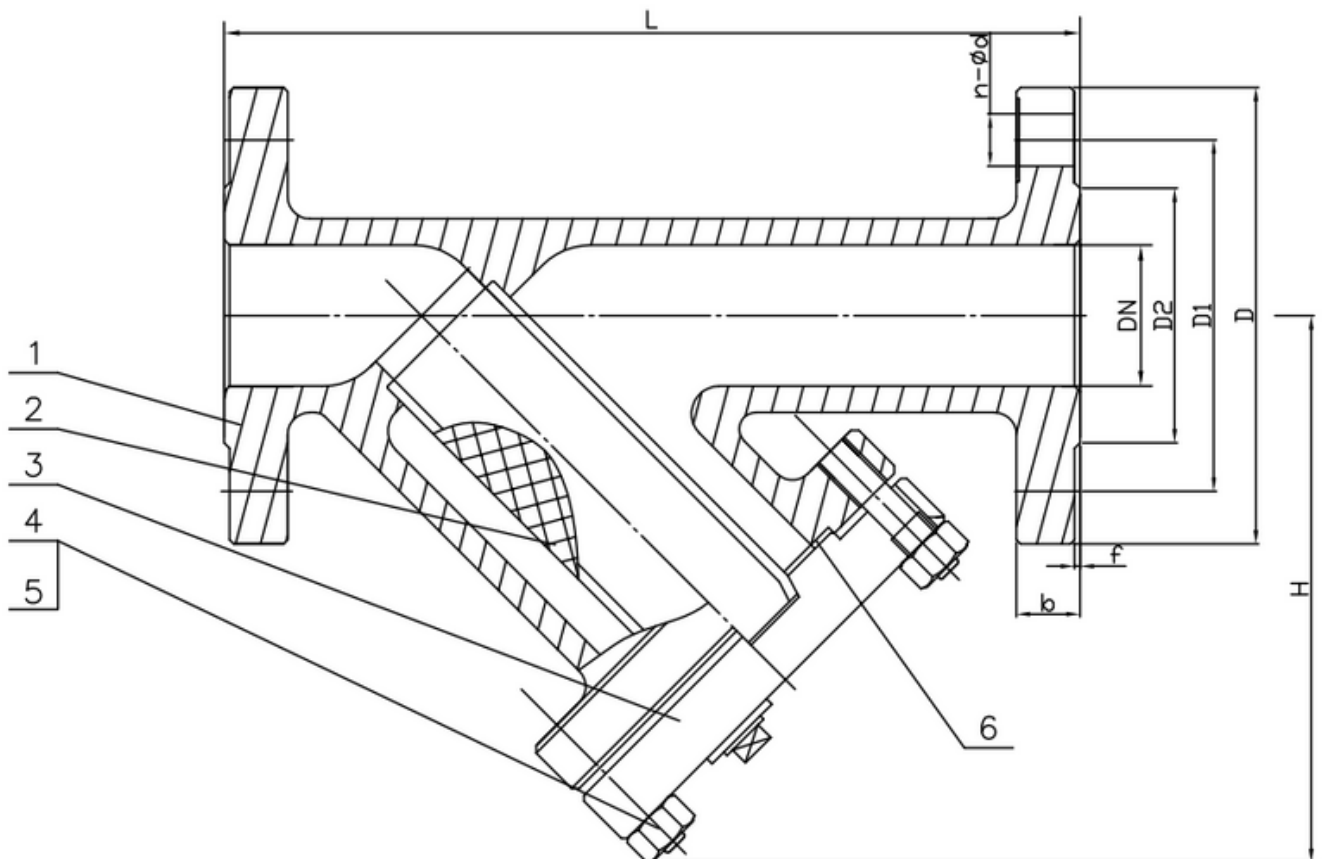


TYPE: DSF0202

DIN Schmutzfänger DN15 - DN600 PN16

DIN Strainer DN15 - DN600 PN 16



Technical Specification:

1. Material Standard: DIN
2. Hydro-Test: EN1266-1
3. Face to Face: EN558-1
4. End Flange: EN1092-1

Performance Specification			
Nominal Pressure		1.6	MPA
Test Pressure	Intensity test	2.4	
	Back seal test	/	
	Seal test	/	
	Gas test	/	
Working Temperatur		425	°C
Medium: water, oil & gas			

DRW Industrietechnik GmbH

Bodenschwinger Str. 125

D-44357 Dortmund

Telefon: +49 2 31 - 92 71 44-0

info@drw-armaturen.de

www.drw-armaturen.de



Abmessungen / Dimensions:

DN	L	H	D	D1	D2	n-ø	b	f
15	130	90	95	65	45	4-14	16	2
20	150	90	105	75	58	4-14	18	2
25	160	115	115	85	68	4-14	18	2
32	180	130	140	100	78	4-18	18	2
40	200	155	150	110	88	4-18	18	2
50	230	175	165	125	102	4-18	18	2
65	290	190	185	145	122	8-18	18	2
80	310	210	200	160	138	8-18	20	2
100	350	220	220	180	158	8-18	20	2
125	400	280	250	210	188	8-18	22	2
150	480	335	285	240	212	8-22	22	2
200	600	410	340	295	268	12-22	24	2
250	730	520	405	355	320	12-26	26	2
300	850	595	460	410	378	12-26	28	2
350	980	670	520	470	430	16-26	30	2
400	1100	780	580	525	490	16-30	32	2
450	1200	820	640	585	550	20-30	40	2
500	1250	900	715	650	610	20-33	44	2
600	1450	1020	840	770	725	20-36	54	2

Materialien / Materials:

No.	Part Name	Material
1	Body	1.0619
2	Screen	SS304
3	Bonnet	1.0619
4	Body bolt	B7
5	Bonnet Nut	2H
6	Gasket	Graphite + 304

DRW Industrietechnik GmbH

Bodenschwinger Str. 125

D-44357 Dortmund

Telefon: +49 2 31 - 92 71 44-0

info@drw-armaturen.de

www.drw-armaturen.de

