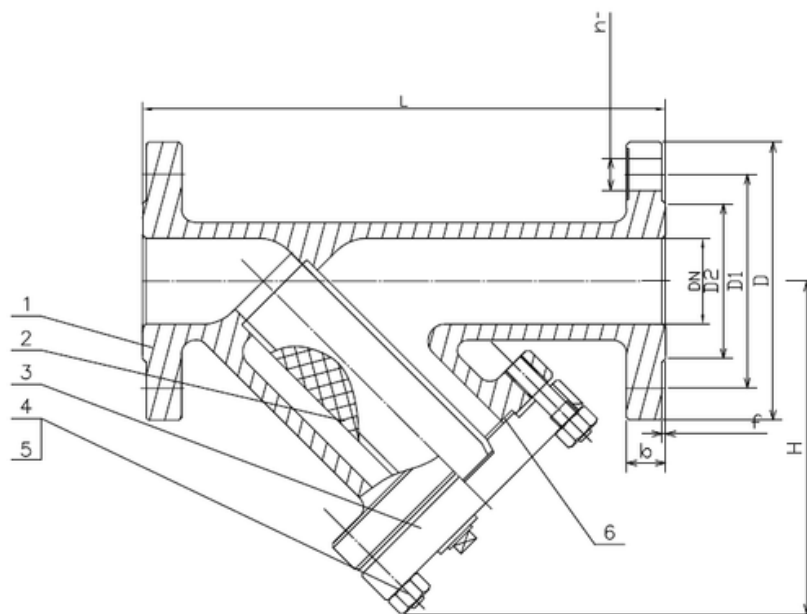


## TYPE: DSF0210

Schmutzfänger DN15 - DN600, PN16

Strainer DN15 - DN600, PN16



### Technical Specification:

1. Design and machining in accordance with EN1984
2. Inspection and test in accordance with EN12266-1
3. Face to Face dimension in accordance with EN558-1 Gr. 15
4. Dimension of connection end accordance with EN1092-1

### **DRW Industrietechnik GmbH**

Bodenschwinger Str. 125

D-44357 Dortmund

Telefon: +49 2 31 - 92 71 44-0

info@drw-armaturen.de

[www.drw-armaturen.de](http://www.drw-armaturen.de)



## Abmessungen / Dimensions:

DN	L	H	D	D1	D2	n-ø	b	f
15	130	90	95	65	45	4-ø14	16	2
20	150	90	105	75	58	4-ø14	18	2
25	160	115	115	85	68	4-ø14	18	2
32	180	130	140	100	78	4-ø18	18	2
40	200	155	150	110	88	4-ø18	18	2
50	230	175	165	125	102	4-ø18	18	2
65	290	190	185	145	122	8-ø18	18	2
80	310	210	200	160	138	8-ø18	20	2
100	350	220	220	180	158	8-ø18	20	2
125	400	280	250	210	188	8-ø18	22	2
150	480	335	285	240	212	8-ø22	22	2
200	600	410	340	295	268	12-ø22	24	2
250	730	520	405	355	320	12-ø26	26	2
300	850	595	460	410	378	16-ø30	28	2
350	980	670	555	490	450	12-ø26	30	2
400	1100	780	580	525	490	16-ø30	32	2
450	1200	820	640	585	550	20-ø30	40	2
500	1250	900	715	650	610	20-ø33	44	2
600	1450	1020	840	770	725	20-ø36	54	2

## Materialien / Materials:

No.	Part Name	Material
1	Body	1.4308
2	Screen	1.4301
3	Bonnet	1.4308
4	Body bolt	A4
5	Bonnet Nut	A4
6	Gasket	1.4301+Graphite

### **DRW Industrietechnik GmbH**

Bodenschwinger Str. 125

D-44357 Dortmund

Telefon: +49 2 31 - 92 71 44-0

info@drw-armaturen.de

[www.drw-armaturen.de](http://www.drw-armaturen.de)

