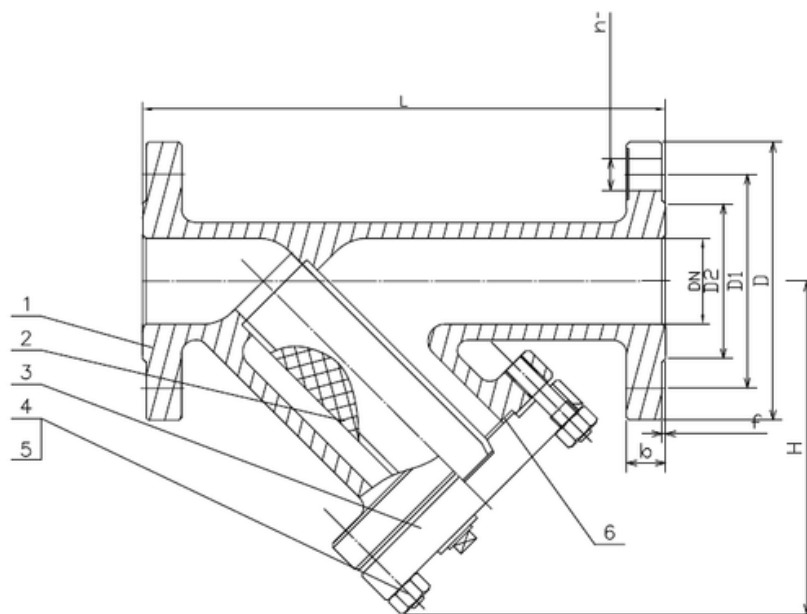


TYPE: DSF0309

Schmutzfänger DN15 - DN600, PN25

Strainer DN15 - DN600, PN25



Technical Specification:

1. Design and machining in accordance with EN1984
2. Inspection and test in accordance with EN12266-1
3. Face to Face dimension in accordance with EN558-1 Gr. 15
4. Dimension of connection end accordance with EN1092-1

DRW Industrietechnik GmbH

Bodelschwinger Str. 125

D-44357 Dortmund

Telefon: +49 2 31 - 92 71 44-0

info@drw-armaturen.de

www.drw-armaturen.de



Abmessungen / Dimensions:

DN	L	H	D	D1	D2	n-ø	b	f
15	130	90	95	65	45	4-ø14	16	2
20	150	90	105	75	58	4-ø14	18	2
25	160	115	115	85	68	4-ø14	18	2
32	180	130	140	100	78	4-ø18	18	2
40	200	155	150	110	88	4-ø18	18	2
50	230	175	165	125	102	4-ø18	20	2
65	290	190	185	145	122	8-ø18	22	2
80	310	210	200	160	138	8-ø18	24	2
100	350	220	235	190	162	8-ø22	24	2
125	400	280	270	220	188	8-ø26	26	2
150	480	335	300	250	218	8-ø26	28	2
200	600	410	360	310	278	12-ø26	30	2
250	730	520	425	370	335	12-ø30	32	2
300	850	595	485	430	395	16-ø30	34	2
350	980	670	555	490	450	16-ø33	38	2
400	1100	780	620	550	505	16-ø36	40	2
450	1200	820	670	600	555	20-ø36	46	2
500	1250	900	730	660	615	20-ø36	48	2
600	1450	1020	845	770	720	20-ø39	58	2

Materialien / Materials:

No.	Part Name	Material
1	Body	1.4408
2	Screen	1.4401
3	Bonnet	1.4408
4	Body bolt	A4
5	Bonnet Nut	A4
6	Gasket	1.4401+Graphite

DRW Industrietechnik GmbH

Bodenschwinger Str. 125

D-44357 Dortmund

Telefon: +49 2 31 - 92 71 44-0

info@drw-armaturen.de

www.drw-armaturen.de

