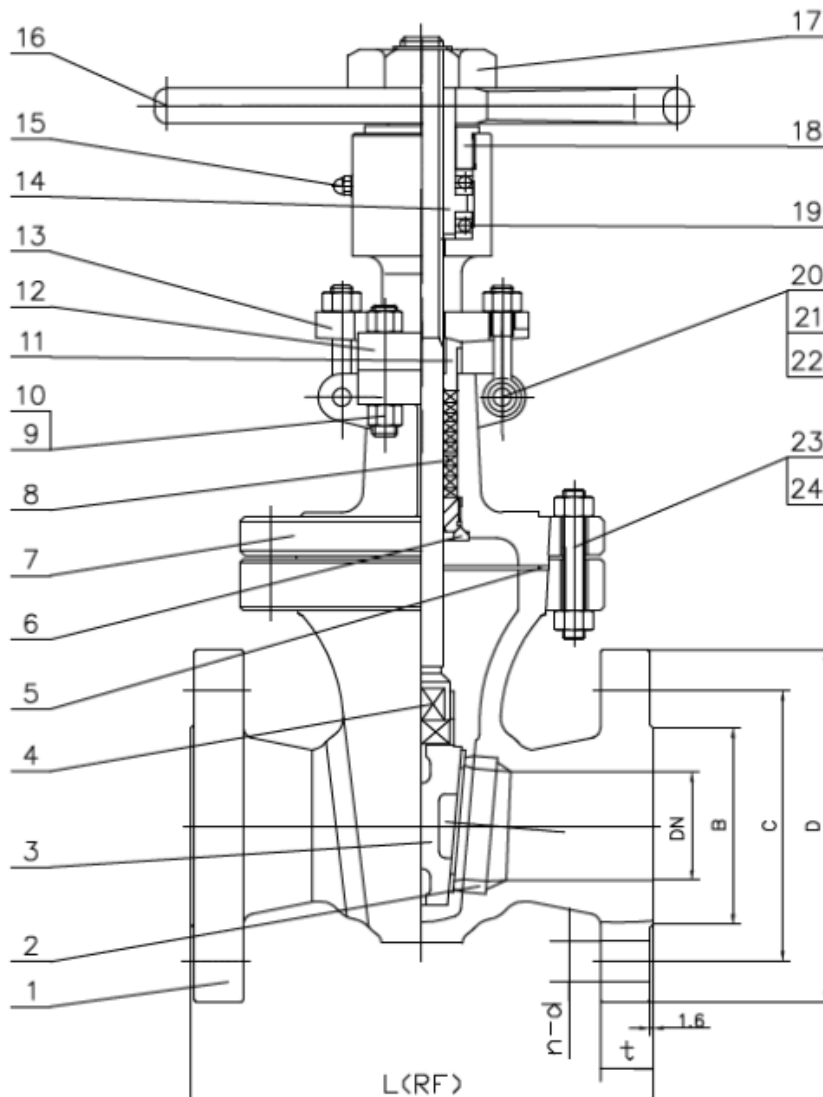


TYPE: AAS1521

ANSI Absperrschieber 12" – 14" Class300

ANSI Gate Valve 12" – 14" Class300



Technical Specification:

1. Design and machining acc. API600
2. Inspection and test acc. API598
3. Face to Face acc. B16.10
4. Dimension of connection end flange acc. B16.5

DRW Industrietechnik GmbH

Bodenschwinger Str. 125

D-44357 Dortmund

Telefon: +49 2 31 - 92 71 44-0

info@drw-armaturen.de

www.drw-armaturen.de



Abmessungen / Dimensions:

| SIZE | DN | B | C | D | t | L (RF) | n-d |
|------|-----|-------|-------|-------|----|--------|-------|
| 12" | 305 | 381 | 450,8 | 520 | 51 | 502 | 16-32 |
| 14" | 337 | 412,8 | 514,4 | 584,2 | 54 | 762 | 20-32 |

Materialien / Materials:

| No. | Part Name | Material's |
|-----|---------------|------------------|
| 1 | Body | A216 WCB |
| 2 | Seat | A105+STL |
| 3 | Wedge | WCB+Cr13 |
| 4 | Stem | Cr13 |
| 5 | Gasket | SS304+Graphite |
| 6 | Back Seat | Cr13 |
| 7 | Bonnet | A216 WCB |
| 8 | Packing | Graphite |
| 9 | Bolt | B7 |
| 10 | Nut | 2H |
| 11 | Gland | Cr13 |
| 12 | Yoke | A216 WCB |
| 13 | Gland Flange | A216 WCB |
| 14 | Yoke Nut | ASTM A439 D-2 |
| 15 | Oil Cup | ASTM A29 GR 1035 |
| 16 | Handwheel | Malleable Iron |
| 17 | Lock Nut | ASTM A29 GR 1035 |
| 18 | Bearing Gland | ASTM A29 GR 1035 |
| 19 | Bearing | Bearing Steel |
| 20 | Pin | ASTM A29 GR 1035 |
| 21 | Nut | 2H |
| 22 | Gland Eyebolt | B7 |
| 23 | Bolt | B7 |
| 24 | Nut | 2H |

DRW Industrietechnik GmbH

Bodelschwingher Str. 125

D-44357 Dortmund

Telefon: +49 2 31 - 92 71 44-0

info@drw-armaturen.de

www.drw-armaturen.de

