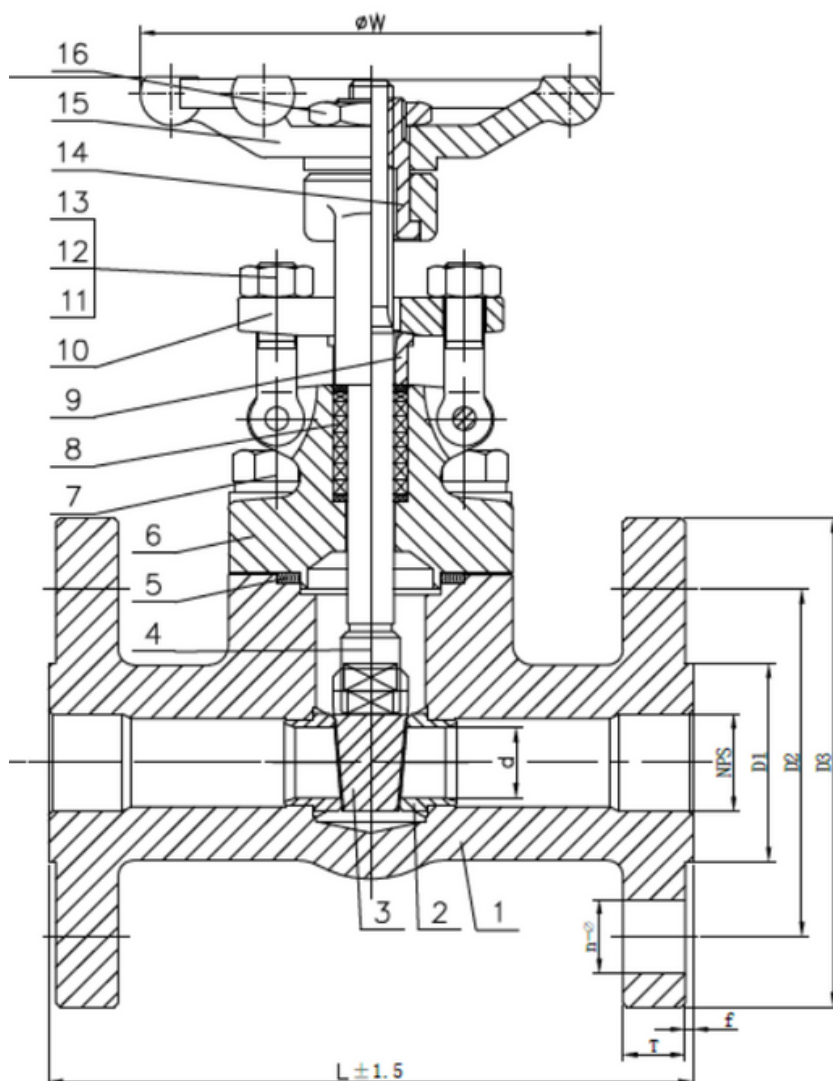


TYPE: AKS1520

ANSI Kleinschieber ½" – 2" Class300

ANSI Gate Valve ½" – 2" Class300



Technical Specification:

1. Design and machining acc. API602
2. Inspection and test acc. API598
3. Face to Face acc. B16.10
4. Dimension of connection end flange acc. B16.34

DRW Industrietechnik GmbH

Bodenschwinger Str. 125

D-44357 Dortmund

Telefon: +49 2 31 - 92 71 44-0

info@drw-armaturen.de

www.drw-armaturen.de



Abmessungen / Dimensions:

| SIZE | L | W | H(open) | d | D1 | D2 | D3 | T | f | n-ø |
|--------|-----|-----|---------|------|------|-------|-----|------|---|------|
| 1/2" | 140 | 100 | 159 | 10 | 34,9 | 66,7 | 95 | 12,7 | 2 | 4-16 |
| 3/4" | 152 | 100 | 162 | 13,5 | 42,9 | 82,6 | 115 | 14,3 | 2 | 4-19 |
| 1" | 165 | 125 | 196 | 18 | 50,8 | 88,9 | 125 | 15,9 | 2 | 4-19 |
| 1 1/4" | 178 | 160 | 223 | 23 | 63,5 | 98,4 | 135 | 17,5 | 2 | 4-19 |
| 1 1/2" | 190 | 160 | 249 | 28,5 | 73 | 114,3 | 155 | 19,1 | 2 | 4-22 |
| 2" | 216 | 180 | 285 | 36 | 92,1 | 127 | 165 | 20,7 | 2 | 8-19 |

Materialien / Materials:

| No. | Part Name | Material's |
|-----|--------------|----------------|
| 1 | Body | ASTM A105 |
| 2 | Seat | 13Cr + STL |
| 3 | Disc | 13Cr |
| 4 | Stem | 13Cr |
| 5 | Gasket | SS304+Graphite |
| 6 | Bonnet | ASTM A105 |
| 7 | Bolt | A193 B7 |
| 8 | Packing | Graphite |
| 9 | Gland | 13Cr |
| 10 | Gland Flange | ASTM A105 |
| 11 | Bolt | A193 B7 |
| 12 | Nut | A194 2H |
| 13 | Pin | 1025 |
| 14 | Stem Nut | Cr13 |
| 15 | Handwheel | A197 |
| 16 | H.W Lock Nut | Carbon Steel |

DRW Industrietechnik GmbH

Bodenschwingher Str. 125

D-44357 Dortmund

Telefon: +49 2 31 - 92 71 44-0

info@drw-armaturen.de

www.drw-armaturen.de

