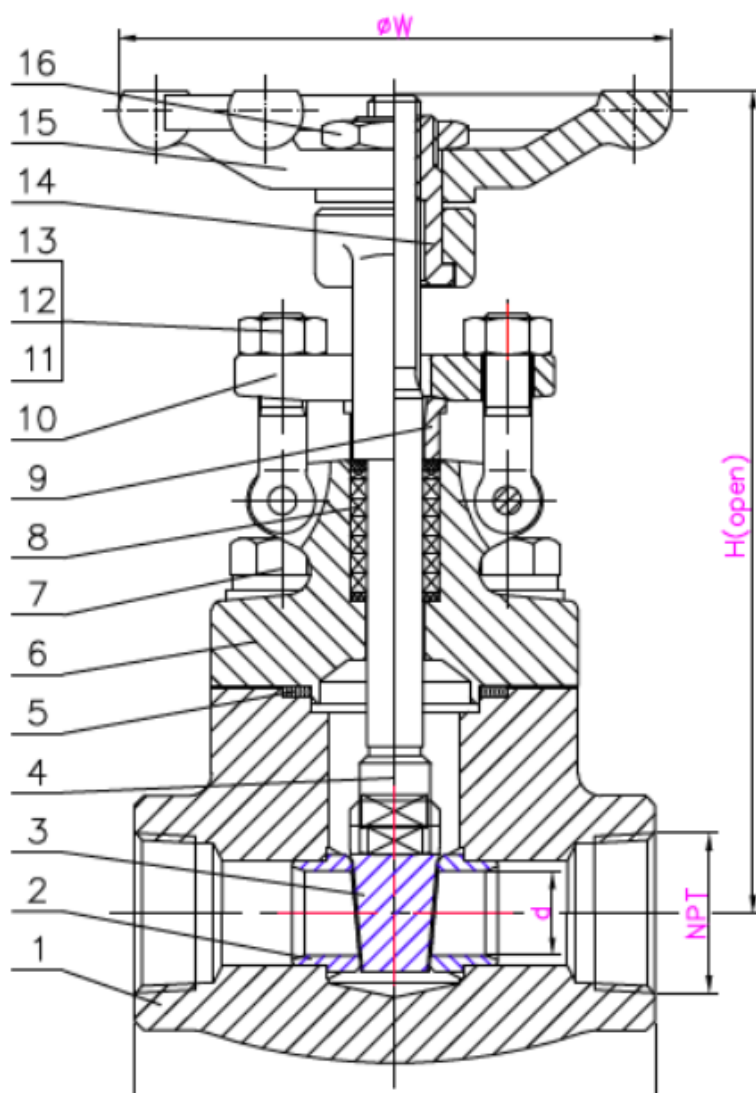


TYPE: AKS1820-SW

ANSI Kleinschieber ½" – 2" Class800

ANSI Gate Valve ½" – 2" Class800



Technical Specification:

1. Design and machining acc. API602
2. Inspection and test acc. API598
3. Face to Face acc. Table (L)
4. Dimension of connection end flange acc. B16.11

DRW Industrietechnik GmbH

Bodenschwinger Str. 125

D-44357 Dortmund

Telefon: +49 2 31 - 92 71 44-0

info@drw-armaturen.de

www.drw-armaturen.de



Abmessungen / Dimensions:

SIZE	L	W	H(open)	d	øS	T
1/2"	79	100	158	10	21,8	10
3/4"	92	100	162	13,5	27,2	13
1"	111	125	196	18	33,9	13
1 1/4"	120	160	221	23	42,7	13
1 1/2"	120	160	248	28,5	48,8	13
2"	140	180	285	36	61,2	16

Materialien / Materials:

No.	Part Name	Material's
1	Body	ASTM A105
2	Seat	13Cr + STL
3	Disc	13Cr
4	Stem	13Cr
5	Gasket	SS304+Graphite
6	Bonnet	ASTM A105
7	Bolt	A193 B7
8	Packing	Graphite
9	Gland	13Cr
10	Gland Flange	ASTM A105
11	Bolt	A193 B7
12	Nut	A194 2H
13	Pin	1025
14	Stem Nut	1Cr13
15	Handwheel	A197
16	H.W. Lock Nut	Carbon Steel

DRW Industrietechnik GmbH

Bodenschwinger Str. 125

D-44357 Dortmund

Telefon: +49 2 31 - 92 71 44-0

info@drw-armaturen.de

www.drw-armaturen.de

