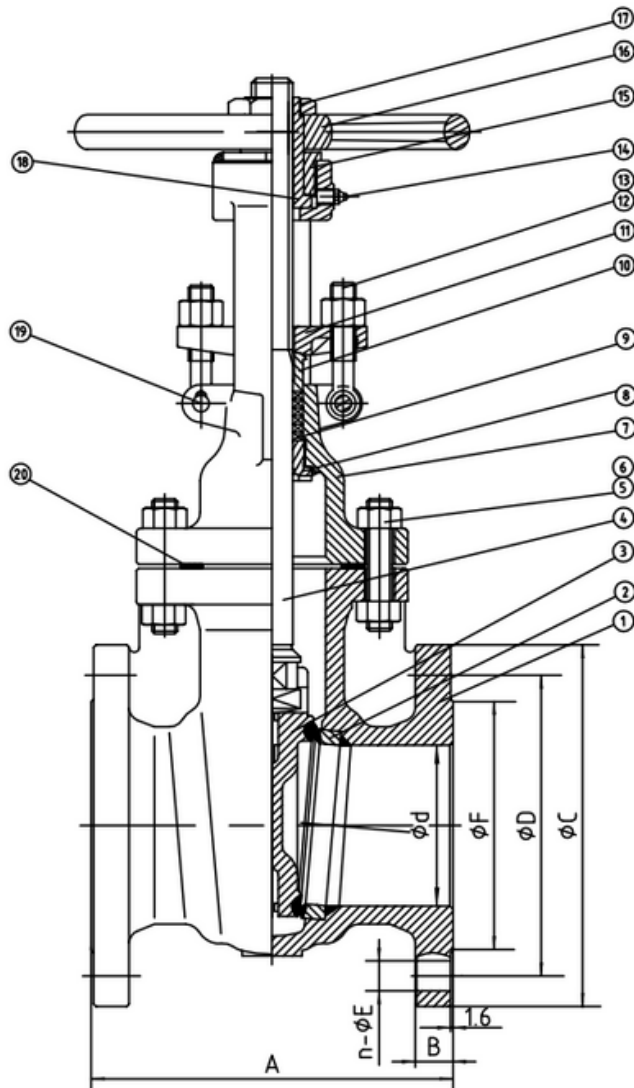


## TYPE: AAS1437

ANSI Absperrschieber 2" – 12" Class150

ANSI Gate Valve 2" – 12" Class150



### Technical Specification:

1. Design and machining acc. API600
2. Inspection and test acc. API598
3. Face to Face acc. B16.10
4. Dimension of connection end flange acc. B16.5

### **DRW Industrietechnik GmbH**

Bodenschwinger Str. 125

D-44357 Dortmund

Telefon: +49 2 31 - 92 71 44-0

info@drw-armaturen.de

[www.drw-armaturen.de](http://www.drw-armaturen.de)



## Abmessungen / Dimensions:

SIZE	d	A	B	C	D	n	E	F
2"	51	178	16	152	120,5	4	19	92
3"	76	203	19	190	152,5	4	19	127
4"	102	229	24	229	190,5	8	19	157
6"	152	267	26	279	241,5	8	22	216
8"	203	292	29	343	298,5	8	22	270
10"	254	330	31	406	362	12	25	324
12"	305	356	32	483	432	12	25	381

## Materialien / Materials:

No.	Part Name	Material
1	Body	CF8M
2	Body Ring	F316 + STL
3	Gate	CF8M
4	Stem	ASTM A 182 F316
5	Bonnet Bolt	ASTM A 193-B8
6	Bonnet Nut	ASTM A 194-8
7	Bonnet	CF8M
8	Backseat Bushing	ASTM A 276-316
9	Packing Ring	Graphite
10	Gland	ASTM A 276-316
11	Gland Flange	CF8M
12	Eye Bolt	ASTM A 193-B8
13	Eye Bolt Nut	ASTM A 194-8
14	Oilfilter	ASTM A 570 GR.A
15	Gland Nut	Cr 13
16	Handwheel	Nodular Cast Iron
17	Handwheel Nut	Cr 13
18	Stem Nut	ASTM A 439 D-2
19	Pin	Cr 13
20	Gasket	SS316 + Graphite

### **DRW Industrietechnik GmbH**

Bodenschwinger Str. 125

D-44357 Dortmund

Telefon: +49 2 31 - 92 71 44-0

info@drw-armaturen.de

[www.drw-armaturen.de](http://www.drw-armaturen.de)

