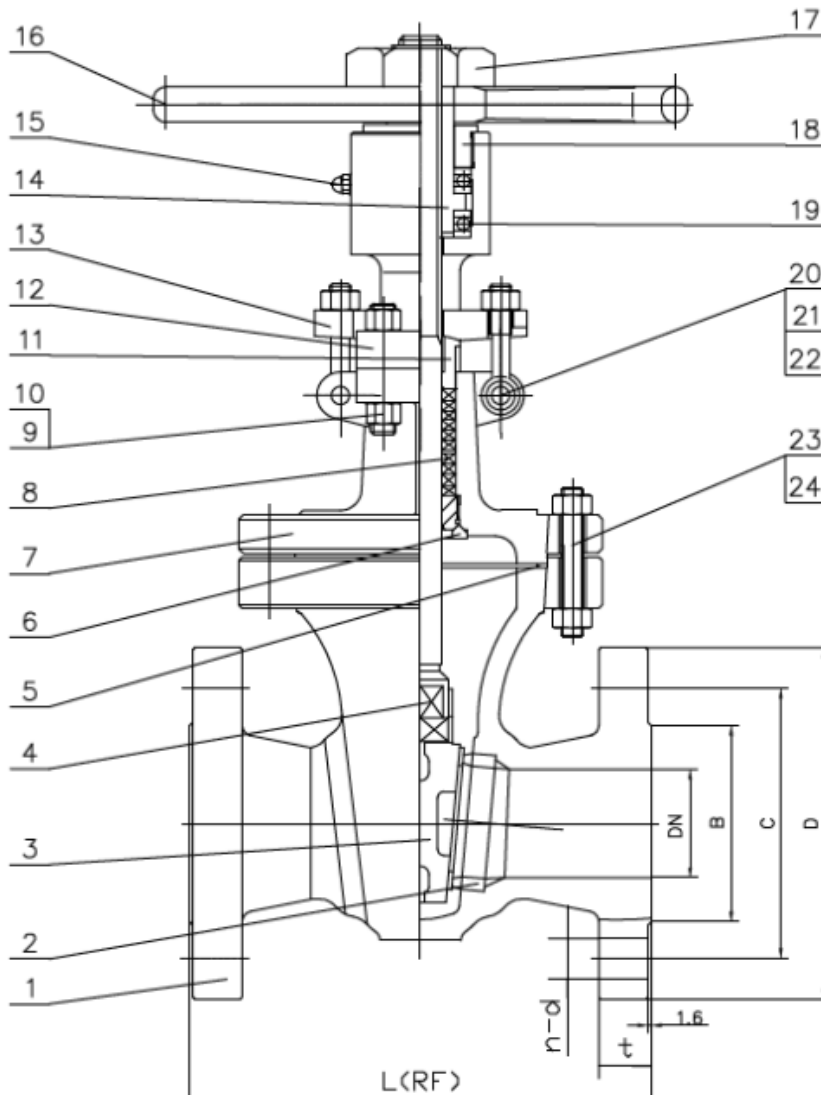


## TYPE: AAS1521

ANSI Absperrschieber 12" – 14" Class300

ANSI Gate Valve 12" – 14" Class300



### Technical Specification:

1. Design and machining acc. API600
2. Inspection and test acc. API598
3. Face to Face acc. B16.10
4. Dimension of connection end flange acc. B16.5

### **DRW Industrietechnik GmbH**

Bodenschwinger Str. 125

D-44357 Dortmund

Telefon: +49 2 31 - 92 71 44-0

info@drw-armaturen.de

[www.drw-armaturen.de](http://www.drw-armaturen.de)



## Abmessungen / Dimensions:

SIZE	DN	B	C	D	t	L (RF)	n-d
12"	305	381	450,8	520	51	502	16-32
14"	337	412,8	514,4	584,2	54	762	20-32

## Materialien / Materials:

No.	Part Name	Material's
1	Body	A216 WCB
2	Seat	A105+STL
3	Wedge	WCB+Cr13
4	Stem	Cr13
5	Gasket	SS304+Graphite
6	Back Seat	Cr13
7	Bonnet	A216 WCB
8	Packing	Graphite
9	Bolt	B7
10	Nut	2H
11	Gland	Cr13
12	Yoke	A216 WCB
13	Gland Flange	A216 WCB
14	Yoke Nut	ASTM A439 D-2
15	Oil Cup	ASTM A29 GR 1035
16	Handwheel	Malleable Iron
17	Lock Nut	ASTM A29 GR 1035
18	Bearing Gland	ASTM A29 GR 1035
19	Bearing	Bearing Steel
20	Pin	ASTM A29 GR 1035
21	Nut	2H
22	Gland Eyebolt	B7
23	Bolt	B7
24	Nut	2H

### **DRW Industrietechnik GmbH**

Bodenschwinger Str. 125

D-44357 Dortmund

Telefon: +49 2 31 - 92 71 44-0

info@drw-armaturen.de

[www.drw-armaturen.de](http://www.drw-armaturen.de)

