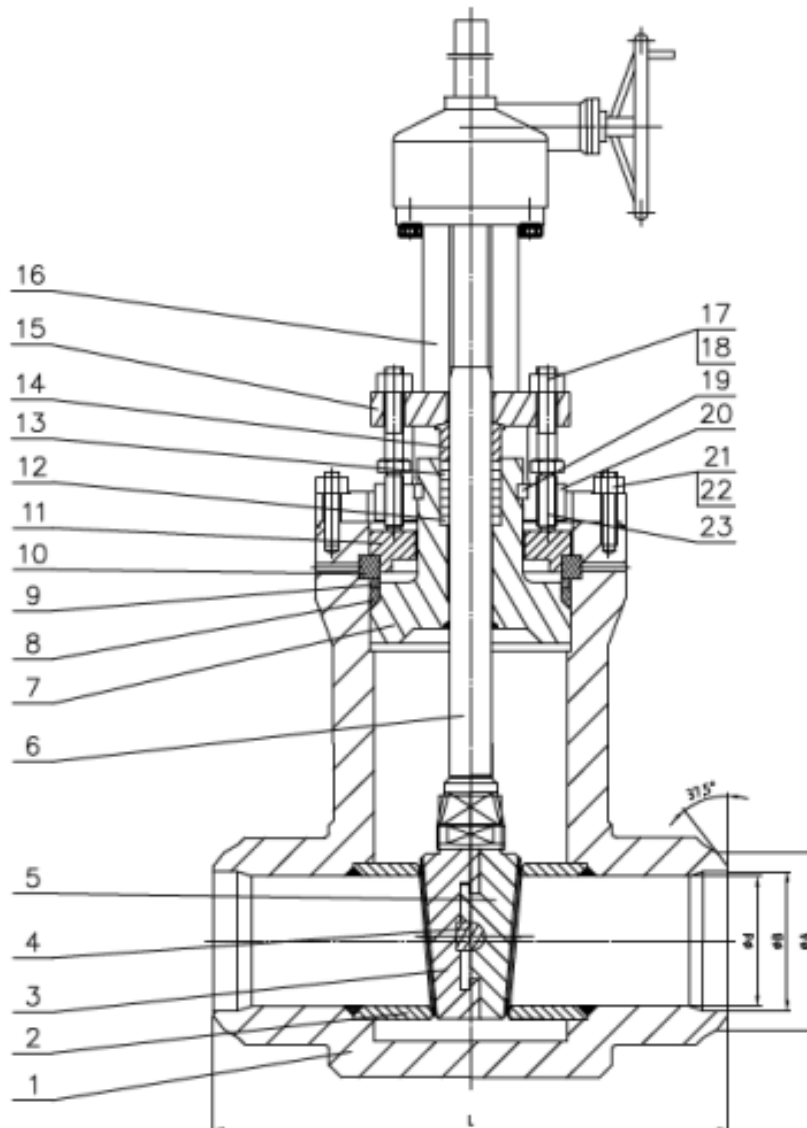


## TYPE: AAS2076

Pressure Seal Gate Valve 8" – 12" Class1500



### Technical Specification:

1. Design and machining acc. API600
2. Inspection and test acc. API598
3. Face to Face acc. B16.10
4. Dimension of connection end flange acc. B16.25

### **DRW Industrietechnik GmbH**

Bodenschwinger Str. 125

D-44357 Dortmund

Telefon: +49 2 31 - 92 71 44-0

info@drw-armaturen.de

[www.drw-armaturen.de](http://www.drw-armaturen.de)



## Abmessungen / Dimensions:

SIZE	SCH	d	L	A	B
8"	120	178	711	219.1	182.62
10"	120	222	864	273	230.2
12"	120	263	991	323.9	273.1

## Materialien / Materials:

No.	Part Name	Material's
1	Body	F91
2	Seat	F91 + STL
3	Left Wedge	F91 + STL
4	Ball	Cr13
5	Right Wedge	F91 + STL
6	Stem	F91
7	Bonnet Nut	F91
8	Pressure Ring	304 + Graphite
9	Trust Ring	Cr13
10	Segmented Ring	Cr13
11	Straining Cover	Cr13
12	Base Ring	Cr13
13	Packing	Graphite
14	Packing Gland	Cr13
15	Gland Flange	F91
16	Yoke	WC6
17	Studbolt	B16
18	Hexagonal Nut	4
19	Harf Ring	Cr13
20	Flange	Cr13
21	Stud	B16
22	Hexagonal Nut	4
23	Hex cap screw	B16

### **DRW Industrietechnik GmbH**

Bodenschwinger Str. 125

D-44357 Dortmund

Telefon: +49 2 31 - 92 71 44-0

info@drw-armaturen.de

[www.drw-armaturen.de](http://www.drw-armaturen.de)

