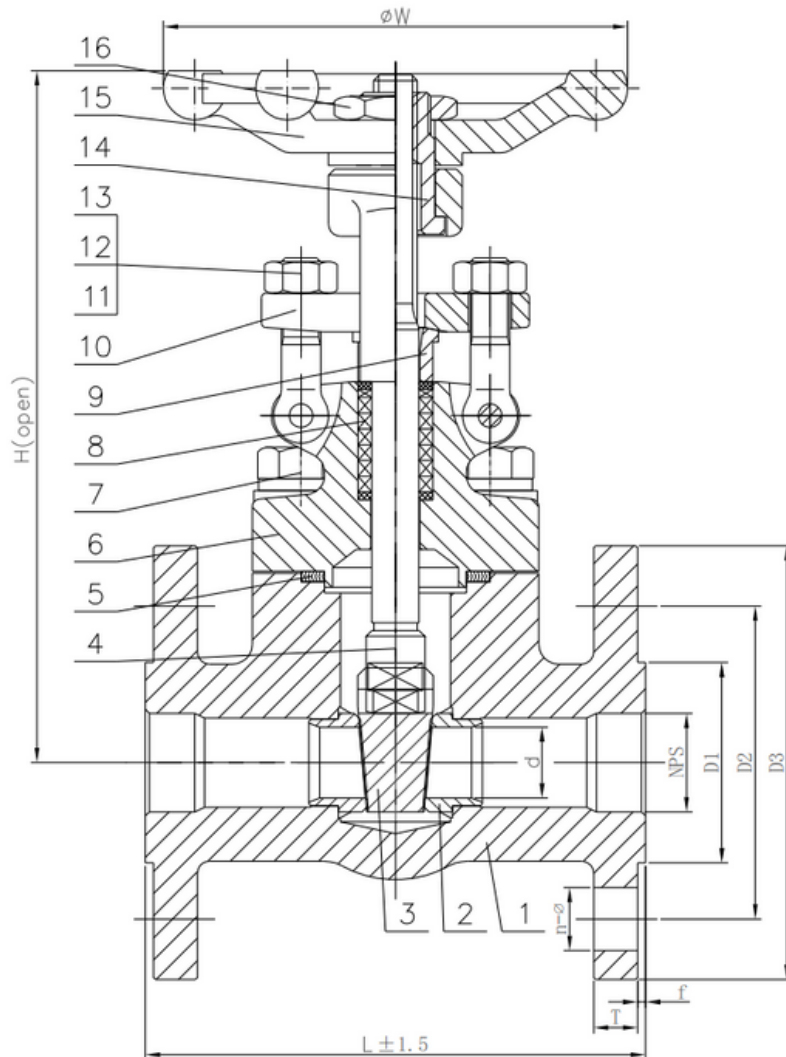


TYPE: AKS1523

ANSI Kleinschieber 1/2" – 2" Cl.300 Material

ANSI Forged Gate Valve 1/2" – 2" Cl.300 Material



Technical Specification:

1. Design and manufacture: API602
2. Inspection and test acc. API598
3. Face to Face acc. ASME B16.10
4. Dimension of connection end flange acc. B16.5

DRW Industrietechnik GmbH

Bodenschwinger Str. 125

D-44357 Dortmund

Telefon: +49 2 31 - 92 71 44-0

info@drw-armaturen.de

www.drw-armaturen.de



Abmessungen / Dimensions:

| SIZE | L | W | H (open) | d | D1 | D2 | D3 | T | f | n-ø |
|--------|-----|-----|----------|------|------|-------|-----|------|---|------|
| 1/2" | 140 | 100 | 159 | 10.0 | 34.9 | 66.3 | 95 | 12.7 | 2 | 4-16 |
| 3/4" | 152 | 100 | 162 | 13.5 | 42.9 | 82.6 | 115 | 14.3 | 2 | 4-19 |
| 1" | 165 | 125 | 196 | 18.0 | 50.8 | 88.9 | 125 | 15.9 | 2 | 4-19 |
| 1-1/4" | 178 | 160 | 223 | 23.0 | 63.5 | 98.4 | 135 | 17.5 | 2 | 4-19 |
| 1-1/2" | 190 | 160 | 249 | 28.5 | 73.0 | 114.3 | 155 | 19.1 | 2 | 4-22 |
| 2" | 216 | 180 | 285 | 36.0 | 92.1 | 127.0 | 165 | 20.7 | 2 | 8-19 |

Materialien / Materials:

| No. | Part Name | Material |
|-----|--------------|------------------|
| 1 | Body | F11 |
| 2 | Seat | 13Cr + STL |
| 3 | Disc | 13Cr |
| 4 | Stem | 13Cr |
| 5 | Gasket | SS304 + Graphite |
| 6 | Bonnet | F11 |
| 7 | Bolt | A193 B16 |
| 8 | Packing Ring | Graphite |
| 9 | Gland | 13Cr |
| 10 | Gland Flange | F11 |
| 11 | Bolt | A193 B16 |
| 12 | Nut | A194 4 |
| 13 | Pin | Cr 13 |
| 14 | Stem nut | 1Cr 13 |
| 15 | Handwheel | A197 |
| 16 | H.W Lock nut | Carbon Steel |

DRW Industrietechnik GmbH

Bodenschwinger Str. 125

D-44357 Dortmund

Telefon: +49 2 31 - 92 71 44-0

info@drw-armaturen.de

www.drw-armaturen.de

