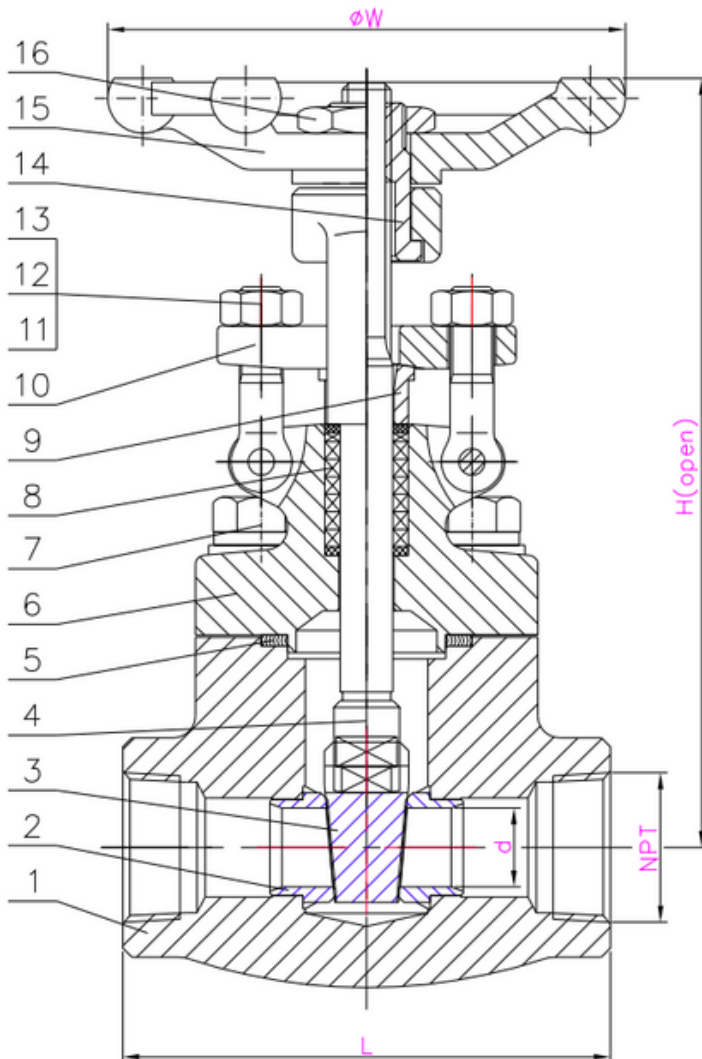


## TYPE: AKS1833

ANSI Kleinschieber 1/2" – 2" Cl.800 Material

ANSI Forged Gate Valve 1/2" – 2" Cl.800 Material



### Technical Specification:

1. Design and manufacture: API602
2. Inspection and test acc. API598
3. Face to Face acc. Manufacturer's
4. Dimension of connection end flange acc. B1.20.1

### **DRW Industrietechnik GmbH**

Bodenschwinger Str. 125

D-44357 Dortmund

Telefon: +49 2 31 - 92 71 44-0

info@drw-armaturen.de

[www.drw-armaturen.de](http://www.drw-armaturen.de)



## Abmessungen / Dimensions:

SIZE	L	W	H (open)	d	NPT
1/2"	79	100	158	10.0	1/2
3/4"	92	100	162	13.5	3/4
1"	111	125	196	18.0	1
1-1/4"	120	160	221	23.0	1-1/4
1-1/2"	120	160	248	28.5	1-1/2
2"	140	180	285	36.0	2

## Materialien / Materials:

No.	Part Name	Material
1	Body	F316L
2	Seat	F316L + STL
3	Disc	F316L
4	Stem	F316L
5	Gasket	SS316 + Graphite
6	Bonnet	F316L
7	Bolt	A193 B8
8	Packing Ring	Graphite
9	Gland	F316L
10	Gland Flange	F316L
11	Bolt	A193 B8
12	Nut	A194 8
13	Pin	F304
14	Stem nut	1Cr 13
15	Handwheel	A197
16	H.W Lock nut	Carbon Steel

### **DRW Industrietechnik GmbH**

Bodenschwinger Str. 125

D-44357 Dortmund

Telefon: +49 2 31 - 92 71 44-0

info@drw-armaturen.de

[www.drw-armaturen.de](http://www.drw-armaturen.de)

