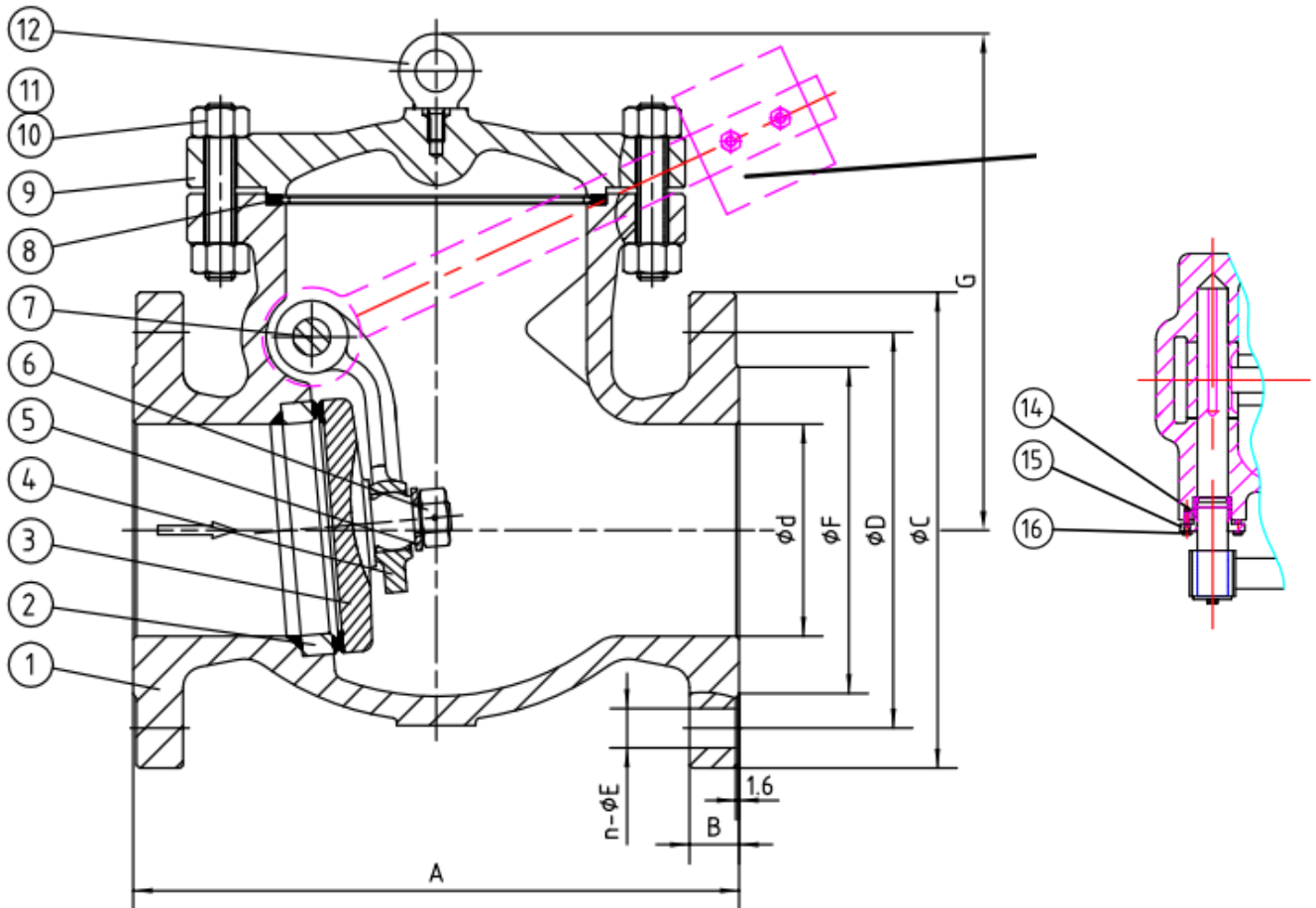


## TYPE: ARK1421

ANSI Rückschlagklappe 4" – 12" Cl.150 Material

ANSI Swing Check Valve 4" – 12" Cl.150 Material



### Technical Specification:

1. Valve According to BS: 1868
2. Inspection and test acc. API598
3. Face to Face acc. ASME B16.10
4. Dimension of connection end flange acc. ASME B16.5

### **DRW Industrietechnik GmbH**

Bodenschwinger Str. 125

D-44357 Dortmund

Telefon: +49 2 31 - 92 71 44-0

info@drw-armaturen.de

[www.drw-armaturen.de](http://www.drw-armaturen.de)



## Abmessungen / Dimensions:

SIZE	d	A	B	C	D	n	E	F	G
4"	101.6	292	24	230	190.5	8	19	157	229
6"	152.4	356	26	280	241.5	8	22	216	273
8"	203.2	495	29	345	295.5	8	22	270	341
10"	254	622	31	405	362	12	25	324	403
12"	204.8	698	32	485	432	12	25	381	471

## Materialien / Materials:

No.	Part Name	Material
1	Body	ASTM A216-WCB
2	Seat Ring	ASTM A105 + STL
3	Disc	ASTM A105 + Cr13
4	ARM	ASTM A216-WCB
5	Disc washer	ASTM A276-410
6	Disc nut	ASTM A276-410
7	Hinge pin	ASTM A182-F6a
8	Cover Gasket	SS304 + Graphite
9	Cover Gasket	ASTM A216-WCB
10	Cover Studs	ASTM A193-B7M
11	Cover Nuts	ASTM A194-2HM
12	Eye bolt	ASTM A29-1035
13	Heavy Hammer	Steel
14	Packing	Graphite
15	Galnd Flange	ASTM A29-1035
16	Plug	ASTM A29-1035

### **DRW Industrietechnik GmbH**

Bodenschwinger Str. 125

D-44357 Dortmund

Telefon: +49 2 31 - 92 71 44-0

info@drw-armaturen.de

[www.drw-armaturen.de](http://www.drw-armaturen.de)

