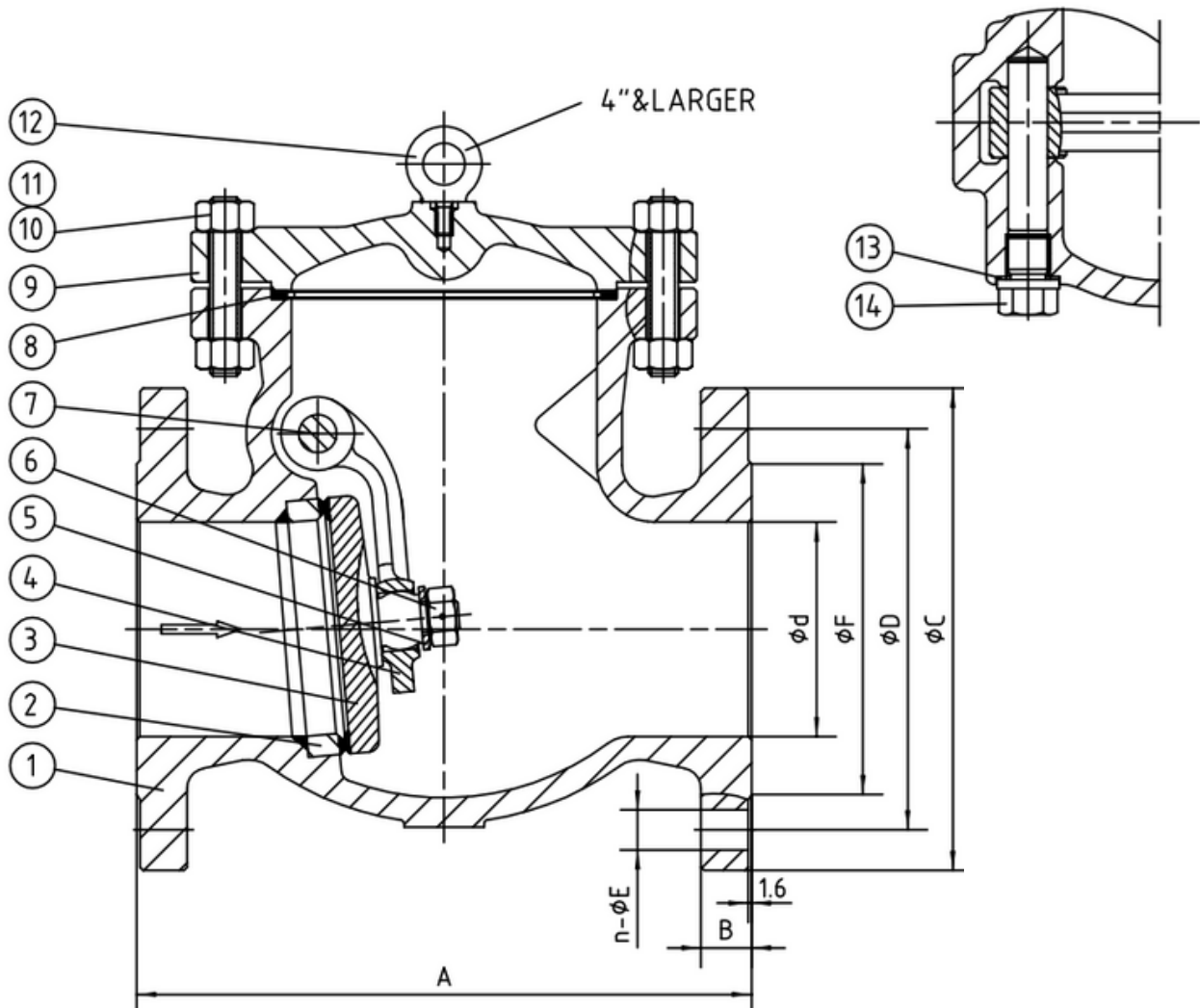


TYPE: ARK1727

ANSI Rückschlagklappe 2" – 12" Cl.600 Material

ANSI Swing Check Valve 2" – 12" Cl.600 Material



Technical Specification:

1. Valve According to BS: 1868
2. Inspection and test acc. API598
3. Face to Face acc. ASME B16.10
4. Dimension of connection end flange acc. ASME B16.5

DRW Industrietechnik GmbH

Bodenschwinger Str. 125

D-44357 Dortmund

Telefon: +49 2 31 - 92 71 44-0

info@drw-armaturen.de

www.drw-armaturen.de



Abmessungen / Dimensions:

SIZE	d	A	B	C	D	n	E	F
2"	50.8	292	26	165	127	8	19	92
3"	76.2	356	32	210	168	8	22	127
4"	101.6	432	38	275	216	8	25	157
6"	152.4	559	48	355	292	12	29	216
8"	199.9	660	56	420	349	12	32	270
10"	247.7	787	64	510	432	16	35	324
12"	298.5	838	67	560	489	20	35	381

Materialien / Materials:

No.	Part Name	Material
1	Body	ASTM A217-WC6
2	Seat ring	ASTM A182-F11 + STL
3	Disc	ASTM A182 F11 + Cr13
4	ARM	ASTM A217-WC6
5	Disc washer	ASTM A276-410
6	Disc nut	ASTM A276-410
7	Hinge pin	ASTM A182-F6a
8	Cover gasket	SS304 + Graphite
9	Cover	ASTM A217-WC6
10	Cover STUDS	ASTM A193-B16
11	Cover nuts	ASTM A194-4
12	Eye bolt	ASTM A29-1035
13	Plug gasket	SS304 + Graphite
14	Plug	ASTM A276-410

DRW Industrietechnik GmbH

Bodenschwinger Str. 125

D-44357 Dortmund

Telefon: +49 2 31 - 92 71 44-0

info@drw-armaturen.de

www.drw-armaturen.de

