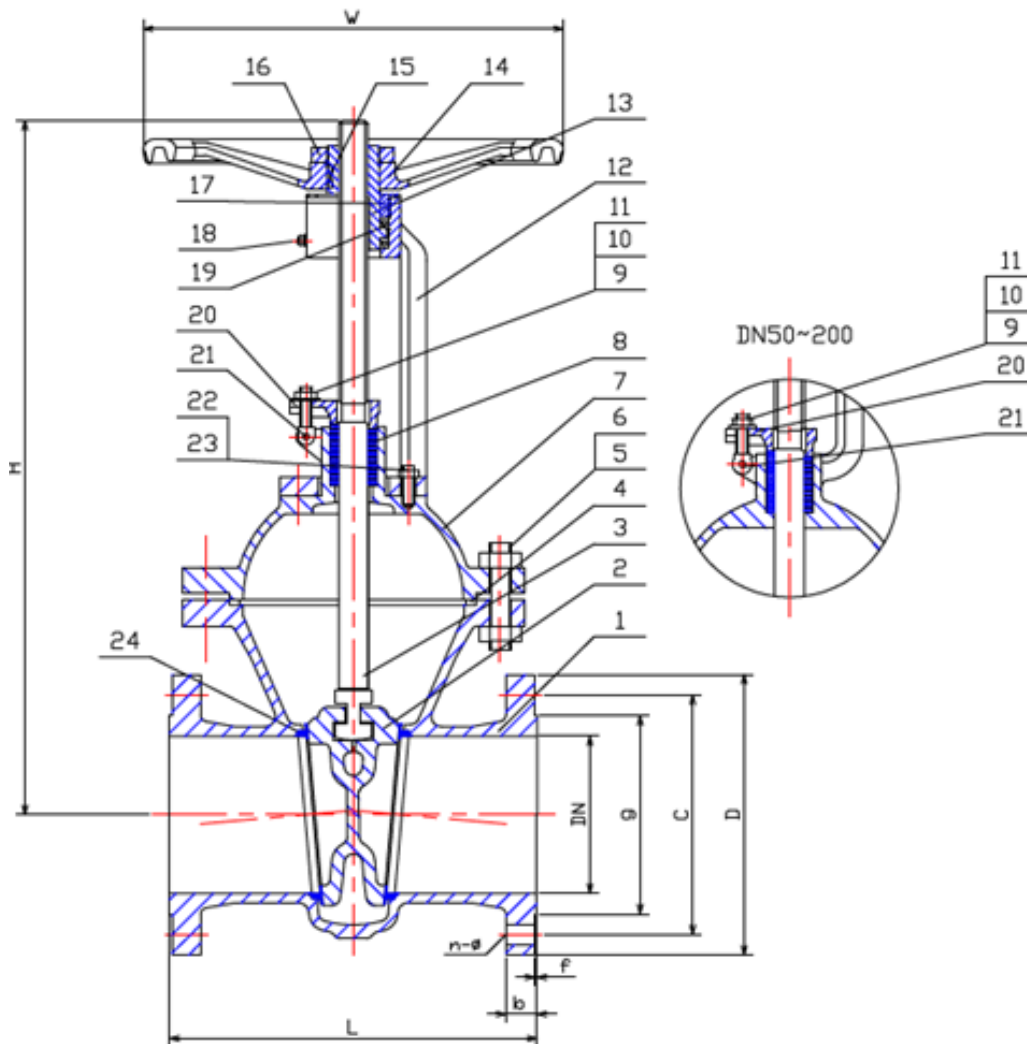


## TYPE: DAS0102

DIN Absperrschieber DN50 – DN250 PN10

DIN Gate Valve DN50 – DN250 PN10



### Technical Specification:

1. Design and machining acc. with EN1984
2. Inspection and test acc. EN12266-1
3. Face to Face acc. EN558-1 Gr.15
4. Dimension of connection end flange acc. EN1092-1

### **DRW Industrietechnik GmbH**

Bodenschwinger Str. 125

D-44357 Dortmund

Telefon: +49 2 31 - 92 71 44-0

info@drw-armaturen.de

[www.drw-armaturen.de](http://www.drw-armaturen.de)



## Abmessungen / Dimensions:

DN	L (RF)	g	C	D	b	n-ø	f	W	H
50	250	102	125	165	20	4-18	3	200	325
65	270	122	145	185	18	4-18	3	225	365
80	280	138	160	200	20	4-18	3	225	405
100	300	158	180	220	20	8-18	3	250	475
125	325	188	210	250	22	8-18	3	360	650
150	350	212	240	285	22	8-23	3	400	645
200	400	168	295	340	24	8-23	3	400	800
250	450	320	350	395	26	12-23	3	450	945

## Materialien / Materials:

No.	Part Name	Material
1	Body	1.0619
2	Wedge Disc	1.0619+13Cr
3	Stem	1.4006
4	Gasket	1.4301 + Graphite
5	Studbolt	YK
6	Nut	YK
7	Bonnet	1.0619
8	Gland Packing	Graphite
9	Studbolt	YK
10	Nut	YK
11	Washer	1.0402
12	Yoke	GS - C25N
13	Yoke Sleeve	GGG - 40
14	Hand Wheel	GGG - 40
15	Key	1.0503
16	Lock Nut	1.0501
17	Bonnet Nut	1.0501
18	Grease Nipple	1.0402
19	Roll Axletree	Axletree Steel
20	Gland Foring	1.0619
21	Pin	1.0501
22	Studbolt	YK
23	Nut	YK
24	Seat Ring	c22.8 + 13 CR

### **DRW Industrietechnik GmbH**

Bodenschwinger Str. 125

D-44357 Dortmund

Telefon: +49 2 31 - 92 71 44-0

info@drw-armaturen.de

[www.drw-armaturen.de](http://www.drw-armaturen.de)

