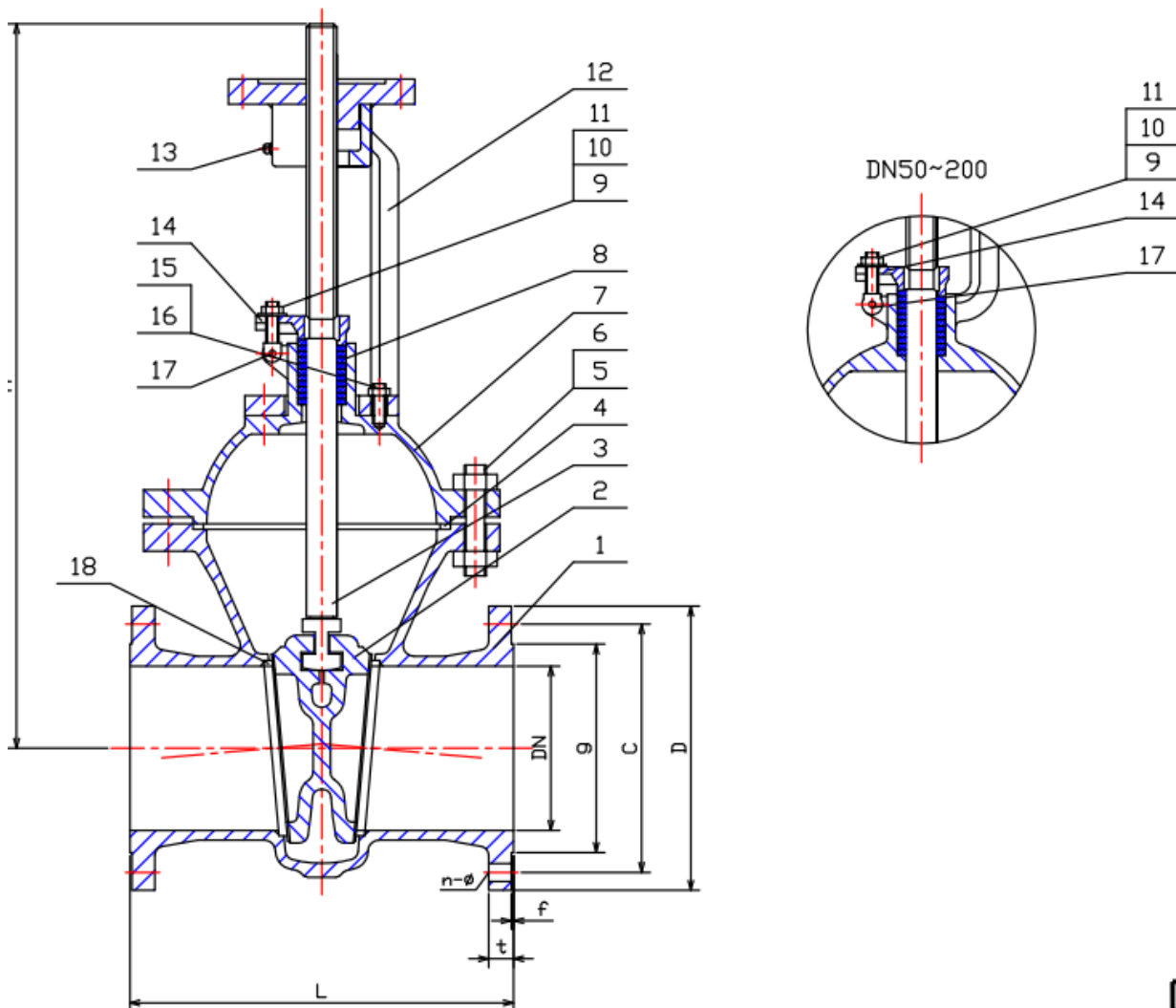


TYPE: DAS0202

DIN Absperrschieber DN50 – DN600 PN16

DIN Gate Valve DN50 – DN600 PN16



Technical Specification:

1. Design and machining acc. with EN1984
2. Inspection and test acc. EN12266-1
3. Face to Face dimension in accordance with DIN3202-F5
4. Dimension of connection end flange in accordance with DIN2543

DRW Industrietechnik GmbH

Bodenschwinger Str. 125

D-44357 Dortmund

Telefon: +49 2 31 - 92 71 44-0

info@drw-armaturen.de

www.drw-armaturen.de



Abmessungen / Dimensions:

DN	L	g	C	D	b	n-ø	f	H	ISO-Flange
50	250	102	125	165	20	4-18	3	375	F12
65	270	122	145	185	18	4-18	3	415	F12
80	280	138	160	200	20	8-18	3	455	F12
100	300	158	180	220	20	8-18	3	525	F12
125	325	188	210	250	22	8-18	3	610	F14
150	350	212	240	285	22	8-22	3	700	F14
200	400	268	295	340	24	12-22	3	800	F14
250	450	320	350	405	26	12-26	3	1050	F14
300	500	378	400	460	28	12-26	4	1235	F16
350	550	438	460	520	30	12-26	4	1315	F16
400	600	490	515	580	32	16-30	4	1515	F16
500	700	610	620	715	36	20-33	4	1800	F25
600	800	725	725	840	40	20-36	5	2130	F25

Materialien / Materials:

No.	Part Name	Material
1	Body	1.0619
2	Wedge Disc	1.0619 + 13 Cr
3	Stem	1.4406
4	Gasket	1.4301 + Graphite
5	Studbolt	YK
6	Nut	YK
7	Bonnet	1.0619
8	Gland Packing	Graphite
9	Studblot	YK
10	Nut	YK
11	Washer	1.0402
12	Yoke	1.0619
13	Grease Nipple	1.0402
14	Gland Forging	1.0619
15	Studbolt	YK
16	Nut	YK
17	Pin	1.0501
18	Seat Ring	C22.8 + 13 Cr

DRW Industrietechnik GmbH

Bodenschwinger Str. 125

D-44357 Dortmund

Telefon: +49 2 31 - 92 71 44-0

info@drw-armaturen.de

www.drw-armaturen.de

