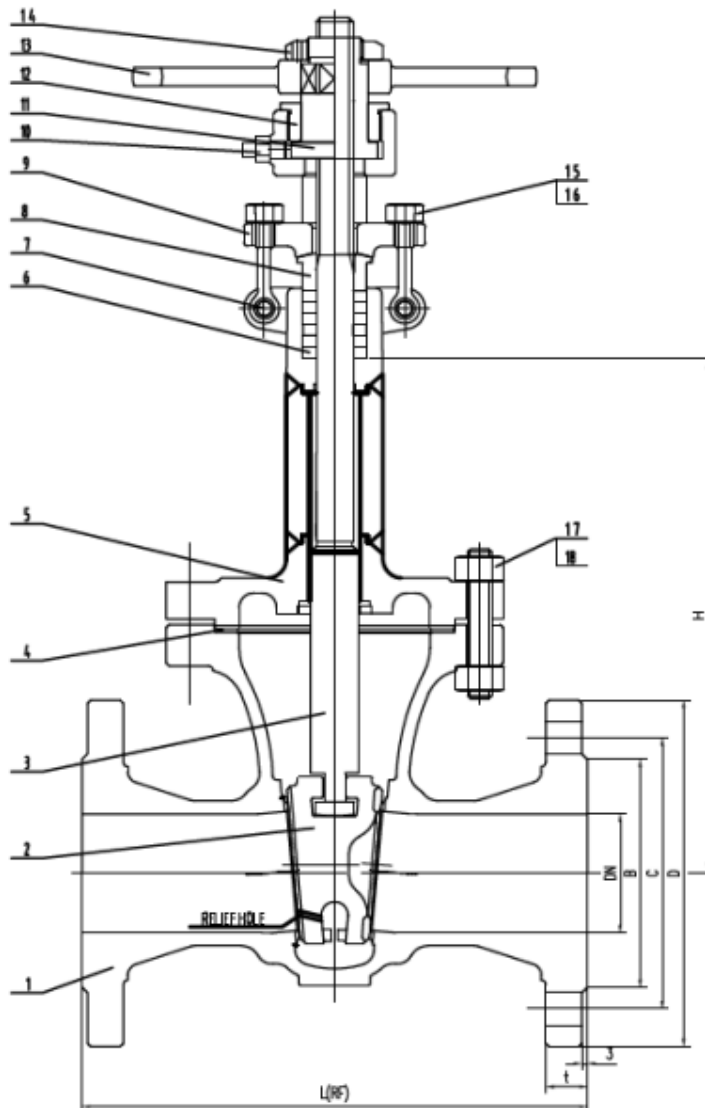


**TYPE: DAS0310**

**Cryogenic Service**

DIN Absperrschieber DN50 – DN100 PN25

DIN Gate Valve DN50 – DN100 PN25



**Technical Specification:**

1. Design and machining acc. with EN1984
2. Inspection and test acc. EN12266-1
3. Face to Face acc. EN558
4. Dimension of connection end flange acc. EN1092-1

**DRW Industrietechnik GmbH**

Bodenschwinger Str. 125

D-44357 Dortmund

Telefon: +49 2 31 - 92 71 44-0

info@drw-armaturen.de

[www.drw-armaturen.de](http://www.drw-armaturen.de)



## Abmessungen / Dimensions:

DN	L (RF)	B	C	D	n-d	t	H
50	250	102	125	165	4-18	20	600
80	280	138	160	200	8-18	24	685
100	300	162	190	235	8-22	24	700

## Materialien / Materials:

No.	Part Name	Material's
1	Body	1.4308+STL
2	Wegde	1.4308+STL
3	Stem	1.4401
4	Gasket	1.4301+Graphite
5	Bonnet	1.4308
6	Packing	Graphite
7	Pin	1.4301
8	Gland	1.4301
9	Gland Flange	1.4308
10	Oil Cup	Casting Steel
11	Yoke Nut	ASTM A439 D-2
12	Bearing Gland	1.4301
13	Handwheel	Ductile Iron
14	Lock Nut	1.4301
15	Nut	A2-70
16	Gland Eyebolt	A2-70
17	Nut	A2-70
18	Bolt	A2-70

### **DRW Industrietechnik GmbH**

Bodenschwinger Str. 125

D-44357 Dortmund

Telefon: +49 2 31 - 92 71 44-0

info@drw-armaturen.de

[www.drw-armaturen.de](http://www.drw-armaturen.de)

