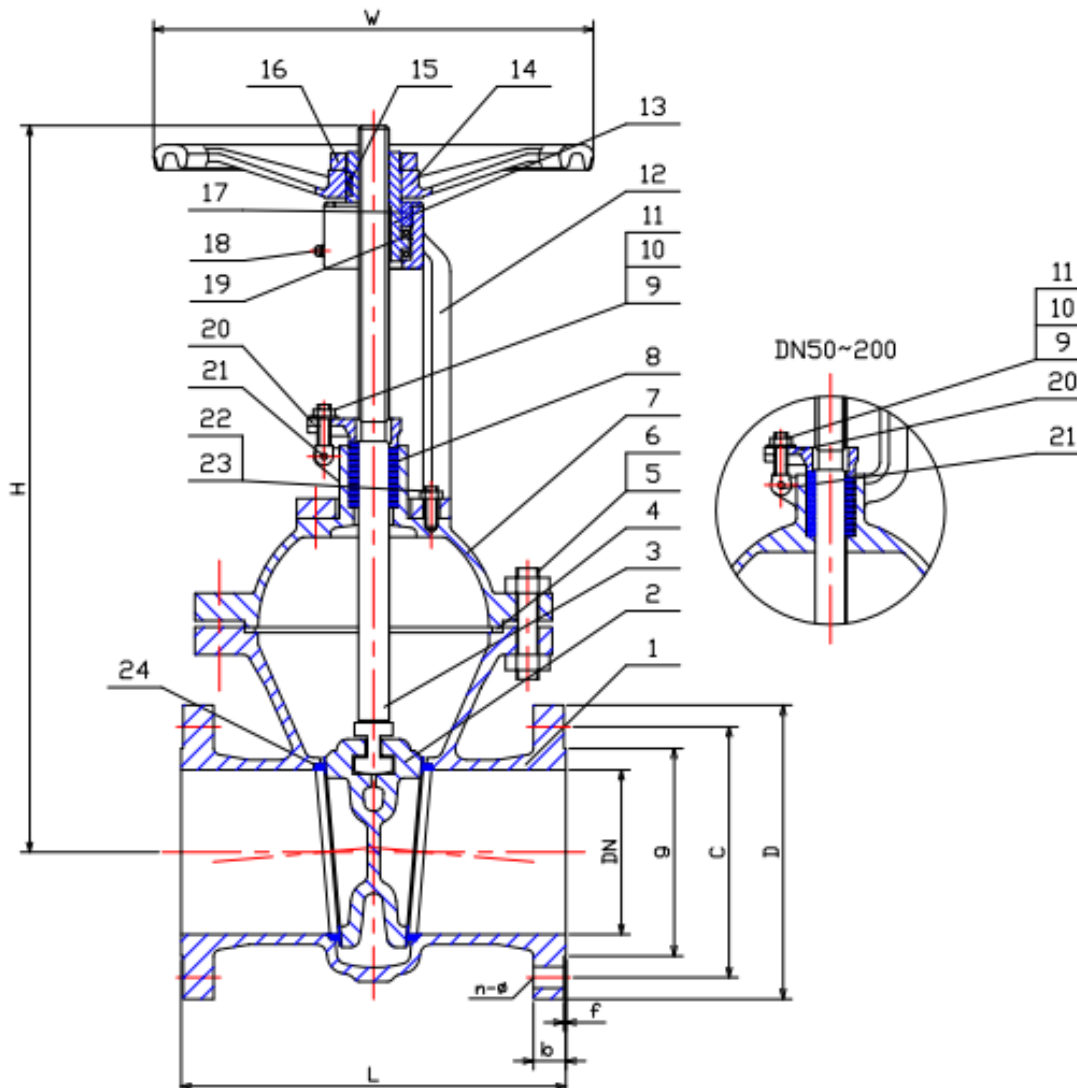


TYPE: DAS0329

DIN Absperrschieber DN50 – DN600 PN25

DIN Gate Valve DN50 – DN600 PN25



Technical Specification:

1. Design and machining acc. with EN1984
2. Inspection and test acc. EN12266-1
3. Face to Face acc. EN558-1 Gr.15
4. Dimension of connection end flange in accordance with EN1092-1

DRW Industrietechnik GmbH

Bodenschwinger Str. 125

D-44357 Dortmund

Telefon: +49 2 31 - 92 71 44-0

info@drw-armaturen.de

www.drw-armaturen.de



Abmessungen / Dimensions:

DN	L	g	C	D	b	n-ø	f	W	H
50	250	102	125	165	20	4-18	3	200	325
65	270	122	145	185	22	8-18	3	225	365
80	280	138	160	200	24	8-18	3	225	405
100	300	162	190	235	24	8-22	3	250	475
125	325	188	220	270	26	8-26	3	360	560
150	350	218	250	300	28	8-26	3	400	645
200	400	278	310	360	30	12-26	3	400	800
250	450	335	370	425	32	12-30	3	450	945
300	500	395	430	485	34	16-30	4	500	1130
350	550	450	490	555	38	16-33	4	500	1260
400	600	505	550	620	40	16-36	4	600	1416
500	700	615	660	730	44	20-36	4	720	1760
600	800	720	770	845	46	20-39	5	750	2030

Materialien / Materials:

No.	Part Name	Material
1	Body	LCB
2	Wedge Disc	LCB + 13 Cr
3	Stem	1.4021
4	Gasket	1.4301 + Graphite
5	Studbolt	L7
6	Nut	7
7	Bonnet	LCB
8	Gland Packing	Graphite
9	Studbolt	L7
10	Nut	7
11	Washer	1.0402
12	Yoke	LCB
13	Yoke Sleeve	D2
14	Hand Wheel	GGG - 40
15	Key	1.0503
16	Lock Nut	1.0501
17	Bonnet Nut	1.0501
18	Grease Nipple	1.0402
19	Roll Axletree	Axletree Steel
20	Gland Foring	LCB
21	Pin	1.0501
22	Studbolt	L7
23	Nut	7
24	Seat Ring	1.4021

DRW Industrietechnik GmbH

Bodenschwinger Str. 125

D-44357 Dortmund

Telefon: +49 2 31 - 92 71 44-0

info@drw-armaturen.de

www.drw-armaturen.de

