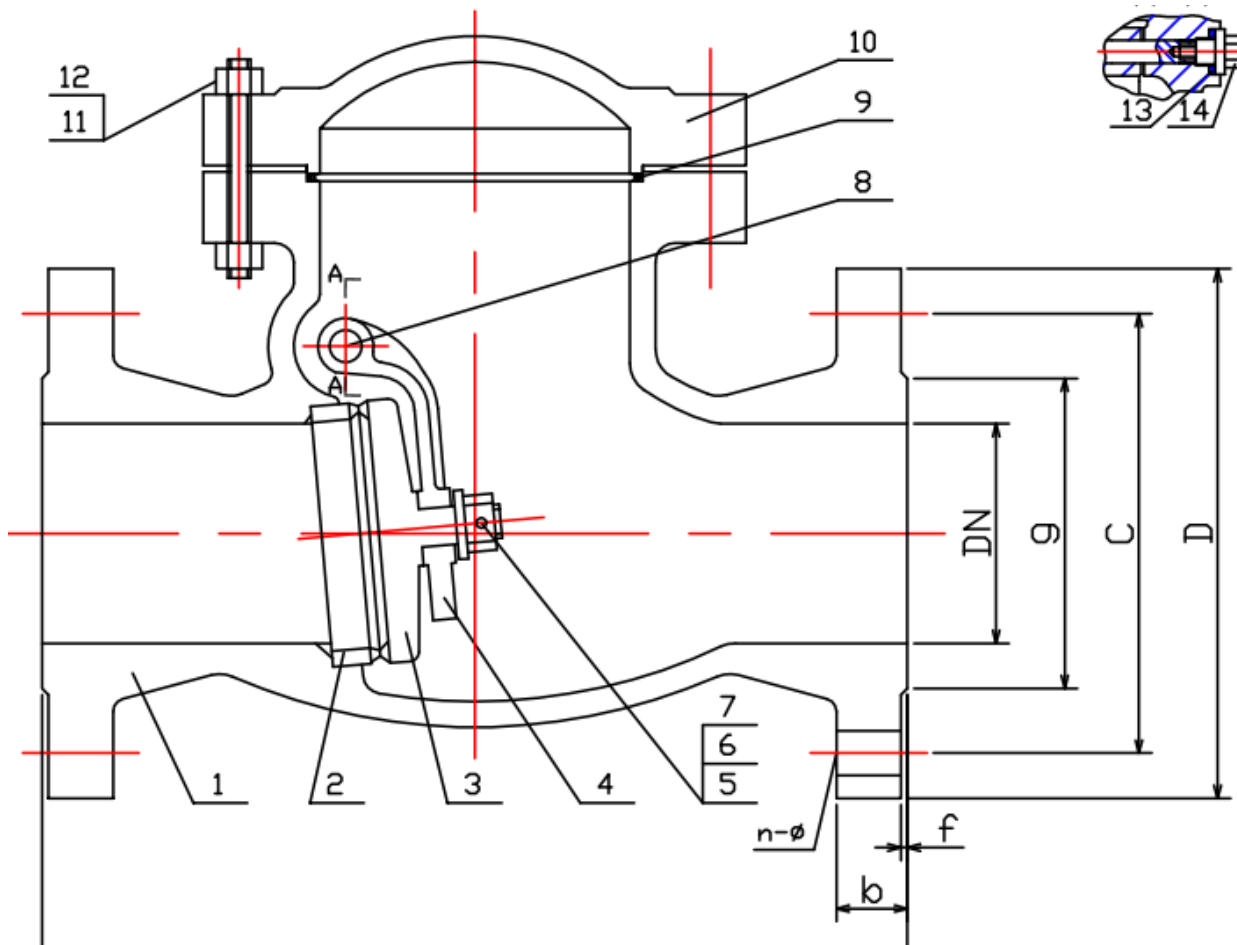


TYPE: DRK0337

DIN Rückschlagklappe DN40 - DN350 PN25

DIN Swing Check Valve DN40 - DN350 PN25



Technical Specification:

1. Design and machining acc. with EN14341
2. Inspection and test acc. EN12266-1
3. Face to Face acc. EN558-1 Gr.1
4. Dimension of connection end flange acc. EN1092-1

DRW Industrietechnik GmbH

Bodenschwinger Str. 125

D-44357 Dortmund

Telefon: +49 2 31 - 92 71 44-0

info@drw-armaturen.de

www.drw-armaturen.de



Abmessungen / Dimensions:

DN	L	g	C	D	b	f	n-ø
40	200	88	110	150	18	3	4-18
50	230	102	125	165	20	3	4-18
65	290	122	145	185	22	3	8-18
80	310	138	160	200	24	3	8-18
100	350	162	190	235	24	3	8-22
125	400	188	220	270	26	3	8-26
150	480	218	250	300	28	3	8-26
200	600	278	310	360	30	3	12-26
250	730	335	370	425	32	3	12-30
300	850	395	430	485	34	4	16-30
350	980	450	490	888	38	4	16-33

Materialien / Materials:

No.	Part Name	Material
1	Body	CF8M
2	Seat Ring	F316 + STL
3	Disc	CF8M
4	Rocker	CF8M
5	Washer 1	SS316
6	Pin	F316 + STL
7	Pin	SS316
8	Hing Pin	F316 + STL
9	Gasket	SS316 + Graphite
10	Bonnet	CF8M
11	Studbolt	B8M
12	Nut	8M
13	Washer 2	SS316
14	Plug Nut	F316

DRW Industrietechnik GmbH

Bodenschwinger Str. 125

D-44357 Dortmund

Telefon: +49 2 31 - 92 71 44-0

info@drw-armaturen.de

www.drw-armaturen.de

