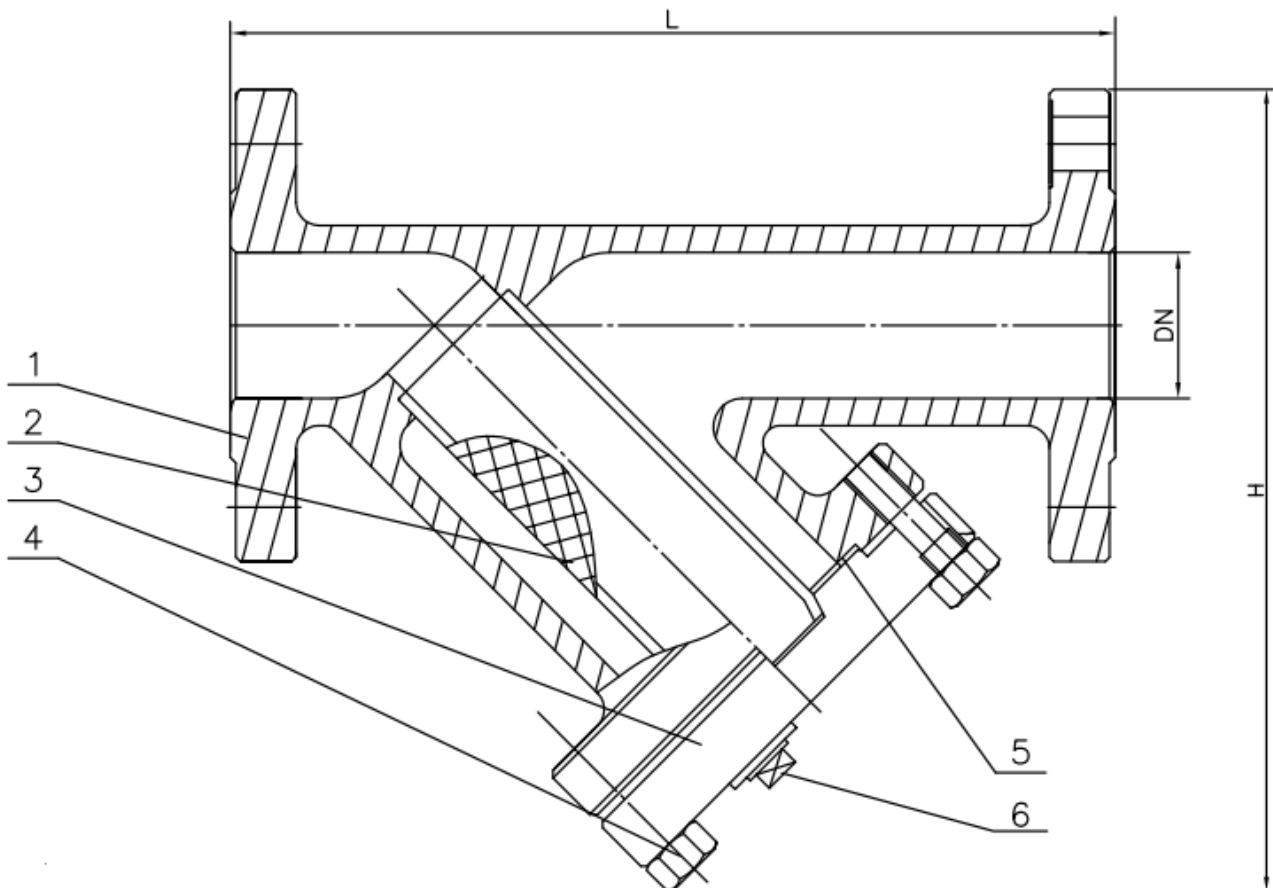


## TYPE: DSF0102

DIN Schmutzfänger DN15 - DN600 PN10

DIN Strainer DN15 - DN600 PN 10



### Technical Specification:

1. Test: EN12266-1
2. Face to Face Dimensions: EN558-1
3. End Flange Dimensions: EN1092-1

Performance Specification				
Nominal Pressure	1.0	<b>MPA</b>		
<b>Test Pressure</b>	Intensity test			1.5
	Back seal test			/
	Seal test			/
	Gas test	/		
Working Temperatur	425	°C		
Medium: water, oil & gas				

### **DRW Industrietechnik GmbH**

Bodenschwinger Str. 125

D-44357 Dortmund

Telefon: +49 2 31 - 92 71 44-0

info@drw-armaturen.de

[www.drw-armaturen.de](http://www.drw-armaturen.de)



## Abmessungen / Dimensions:

<b>DN</b>	<b>L</b>	<b>H</b>
<b>15</b>	130	135
<b>20</b>	150	155
<b>25</b>	160	170
<b>32</b>	180	175
<b>40</b>	200	190
<b>50</b>	230	220
<b>65</b>	290	270
<b>80</b>	310	300
<b>100</b>	350	330
<b>125</b>	400	370
<b>150</b>	480	450
<b>200</b>	600	580
<b>250</b>	730	680
<b>300</b>	850	800
<b>350</b>	980	900
<b>400</b>	1100	1000
<b>450</b>	1200	1100
<b>500</b>	1250	1150
<b>600</b>	1450	1350

## Materialien / Materials:

<b>No.</b>	<b>Part Name</b>	<b>Material</b>
<b>1</b>	Body	1.0619
<b>2</b>	Screen	SS304
<b>3</b>	Bonnet	1.0619
<b>4</b>	Body bolt	YK
<b>5</b>	Gasket	1.4301 + Graphite
<b>6</b>	Drain plug	C22.8

### **DRW Industrietechnik GmbH**

Bodenschwinger Str. 125

D-44357 Dortmund

Telefon: +49 2 31 - 92 71 44-0

info@drw-armaturen.de

[www.drw-armaturen.de](http://www.drw-armaturen.de)

