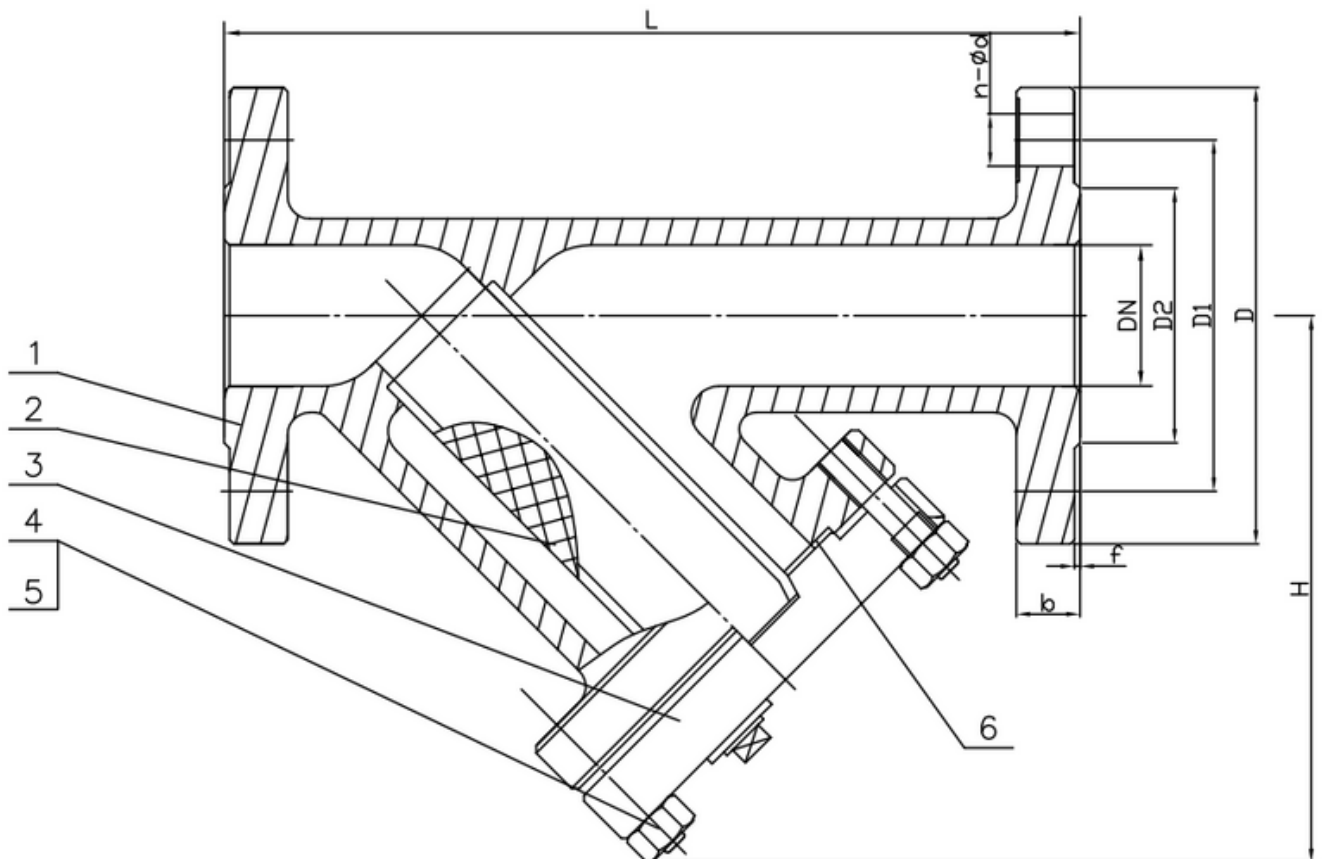


## TYPE: DSF0269

DIN Schmutzfänger DN15 - DN200 PN16

DIN Strainer DN15 - DN200 PN 16



### Technical Specification:

1. Material Standard: DIN
2. Hydro-Test: EN1266-1
3. Face to Face: EN558-1
4. End Flange: EN1092-1

Performance Specification			
Nominal Pressure		1.6	MPA
Test Pressure	Intensity test	2.4	
	Back seal test	/	
	Seal test	/	
	Gas test	/	
Working Temperatur		150	°C
Medium: water, oil & gas			

### DRW Industrietechnik GmbH

Bodenschwinger Str. 125

D-44357 Dortmund

Telefon: +49 2 31 - 92 71 44-0

info@drw-armaturen.de

[www.drw-armaturen.de](http://www.drw-armaturen.de)



## Abmessungen / Dimensions:

<b>DN</b>	<b>L</b>	<b>H</b>	<b>D</b>	<b>D1</b>	<b>D2</b>	<b>n-ø</b>	<b>b</b>	<b>f</b>
<b>15</b>	130	90	95	65	45	4-14	16	2
<b>20</b>	150	90	105	75	58	4-14	18	2
<b>25</b>	160	115	115	85	68	4-14	18	2
<b>32</b>	180	130	140	100	78	4-18	18	3
<b>40</b>	200	155	150	110	88	4-18	18	3
<b>50</b>	230	175	165	125	102	4-18	20	3
<b>65</b>	290	190	185	145	122	4-18	18	3
<b>80</b>	310	210	200	160	138	8-18	20	3
<b>100</b>	350	220	220	180	158	8-18	20	3
<b>125</b>	400	280	250	210	188	8-18	22	3
<b>150</b>	480	335	285	240	212	8-22	22	3
<b>200</b>	600	410	340	295	268	12-22	24	3

## Materialien / Materials:

<b>No.</b>	<b>Part Name</b>	<b>Material</b>
<b>1</b>	Body	1.4404
<b>2</b>	Screen	SS316L
<b>3</b>	Bonnet	1.4404
<b>4</b>	Body bolt	B8M
<b>5</b>	Bonnet Nut	(m)
<b>6</b>	Gasket	SS316 + Graphite

### **DRW Industrietechnik GmbH**

Bodenschwinger Str. 125

D-44357 Dortmund

Telefon: +49 2 31 - 92 71 44-0

info@drw-armaturen.de

[www.drw-armaturen.de](http://www.drw-armaturen.de)

