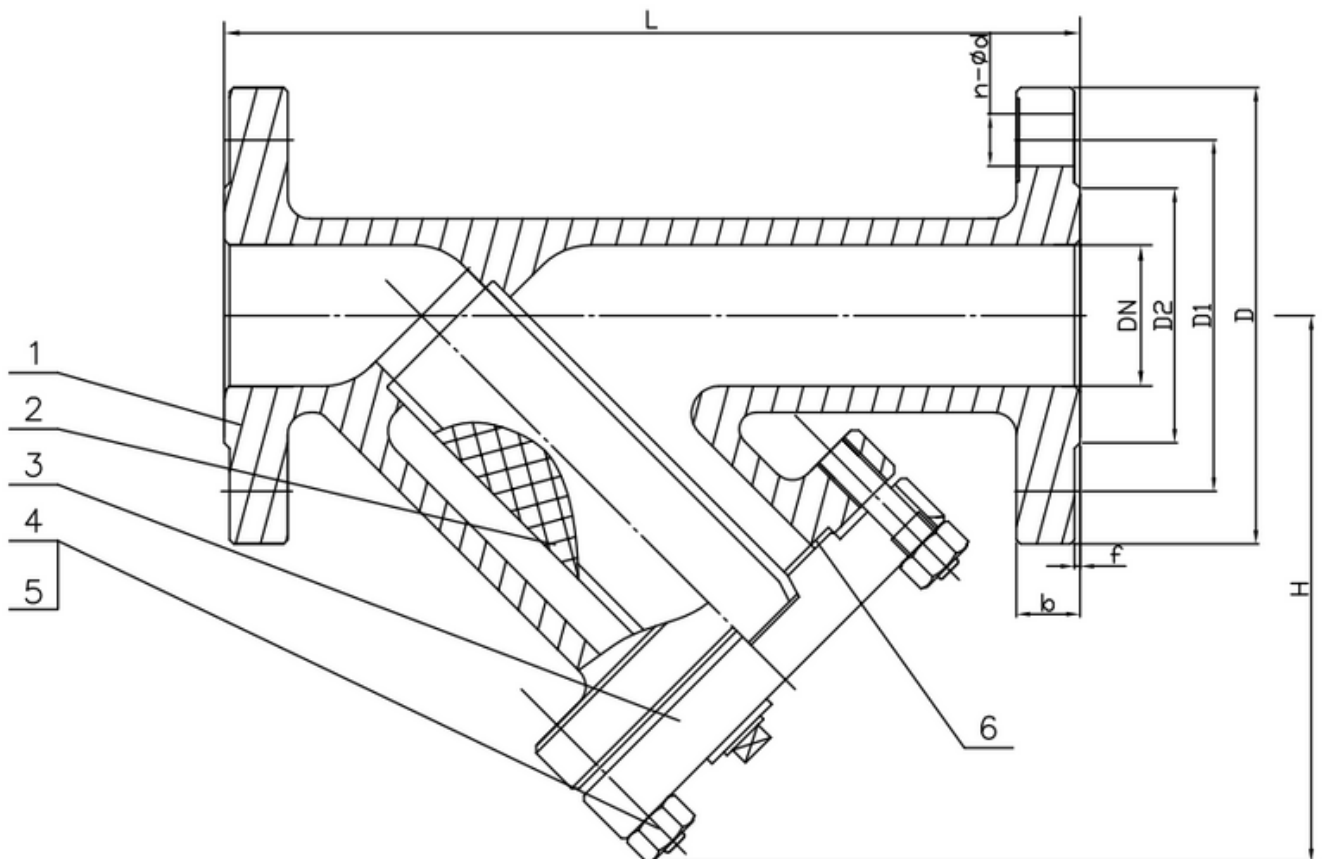


## TYPE: DSF0402

DIN Schmutzfänger DN15 - DN300 PN40

DIN Strainer DN15 - DN300 PN40



### Technical Specification:

1. Material Standard: DIN
2. Hydro-Test: EN1266-1
3. Face to Face: EN558-1
4. End Flange: EN1092-1

Performance Specification			
Nominal Pressure	4.0	<b>MPA</b>	
<b>Test Pressure</b>	Intensity test		6.0
	Back seal test		/
	Seal test		/
	Gas test		/
Working Temperatur	535	°C	
Medium: water, oil & gas			

### **DRW Industrietechnik GmbH**

Bodenschwinger Str. 125

D-44357 Dortmund

Telefon: +49 2 31 - 92 71 44-0

info@drw-armaturen.de

[www.drw-armaturen.de](http://www.drw-armaturen.de)



## Abmessungen / Dimensions:

DN	L	H	D	D1	D2	n-ø	b	f
15	130	90	95	65	45	4-14	16	2
20	150	90	105	75	58	4-14	18	2
25	160	115	115	85	68	4-14	18	2
32	180	130	140	100	78	4-18	18	3
40	200	155	150	110	88	4-18	18	3
50	230	175	165	125	102	4-18	20	3
65	290	190	185	145	122	8-18	22	3
80	310	210	200	160	138	8-18	24	3
100	350	220	235	190	162	8-22	24	3
125	400	280	270	220	188	8-26	26	3
150	480	335	300	250	218	8-26	28	3
200	600	410	375	320	285	12-30	34	3
250	730	520	450	385	345	12-33	38	3
300	850	595	515	450	410	16-33	42	3

## Materialien / Materials:

No.	Part Name	Material
1	Body	1.0619
2	Screen	1.4404
3	Bonnet	1.0619
4	Body bolt	YK
5	Bonnet Nut	YK
6	Gasket	Graphite + 1.4401

### **DRW Industrietechnik GmbH**

Bodenschwinger Str. 125

D-44357 Dortmund

Telefon: +49 2 31 - 92 71 44-0

info@drw-armaturen.de

[www.drw-armaturen.de](http://www.drw-armaturen.de)

