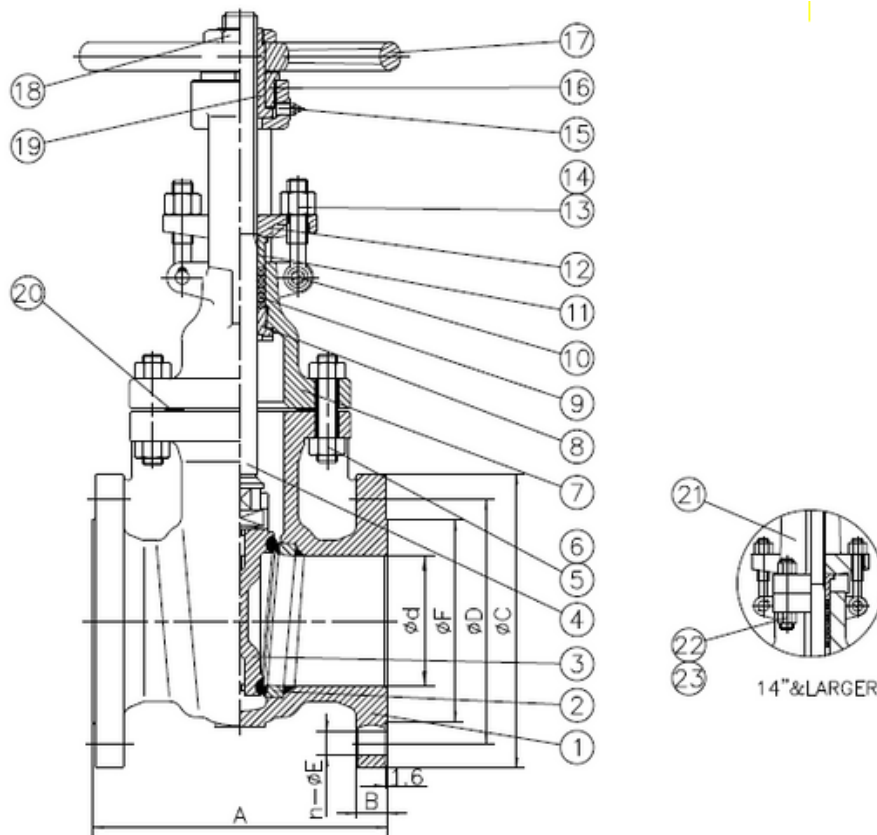


## TYPE: AAS1429

ANSI Absperrschieber 2" – 24" Class150

ANSI Gate Valve 2" – 24" Class150



### Technical Specification:

1. Design and machining acc. API600
2. Inspection and test acc. API598
3. Face to Face acc. B16.10
4. Dimension of connection end flange acc. B16.5 (RF)

### **DRW Industrietechnik GmbH**

Bodenschwinger Str. 125

D-44357 Dortmund

Telefon: +49 2 31 - 92 71 44-0

info@drw-armaturen.de

[www.drw-armaturen.de](http://www.drw-armaturen.de)



## Abmessungen / Dimensions:

SIZE	d	A	B	C	D	n	E	F
2"	50.8	178	16	152	120.5	4	19	92
2.5"	63.5	190	17.5	178	139.5	4	19	105
3"	76.2	203	19	190	152.5	4	19	127
4"	101.6	229	24	229	190.5	8	19	157
6"	152.4	267	26	279	241.5	8	22	216
8"	203.2	292	29	343	298.5	8	22	270
10"	254	330	31	406	362	12	25	324
12"	304.8	356	32	483	432	12	25	381
14"	336.6	381	35	533	476	12	29	413
16"	387.4	406	37	597	540	16	29	470
18"	438.2	432	40	635	578	16	32	533
20"	489	457	43	699	635	20	32	584
24"	590.6	508	48	813	749.5	20	35	692

## Materialien / Materials:

No.	Part Name	Material
1	Body	ASTM A352-LCB
2	Seat Ring	ASTM A350-LF2+STL
3	Gate	ASTM A352-LCB+CR13
4	Stem	ASTM A182-F6a
5	Body/Bonnet Bolts	ASTM A320-L7
6	Body/ Bonnet Nuts	ASTM A194-7
7	Bonnet	ASTM A352-LCB
8	Backseat Bushing	ASTM A276-410
9	Packing	Graphite
10	Pin	ASTM A29-1035
11	Packing Gland	ASTM A276-410
12	Gland Flange	ASTM A352-LCB
13	Packing Bolts	ASTM A320-L7
14	Packing Nuts	ASTM A194-7
15	StemNut Grease Injec.	ASTM A570 Gr.A
16	Gland Nut	ASTM A29-1035
17	Hand Wheel	Nodular Cast Iron
18	Hand Wheel Nut	ASTM A29-1035
19	Stem Nut	ASTM A439 D-2
20	Bonnet Gasket	SS304+Graphite
21	Yoke	ASTM A352-LCB
22	Bonnet/Yoke Bolts	ASTM A320-L7
23	Bonnet/Yoke Nuts	ASTM A194-7

### **DRW Industrietechnik GmbH**

Bodenschwinger Str. 125

D-44357 Dortmund

Telefon: +49 2 31 - 92 71 44-0

info@drw-armaturen.de

[www.drw-armaturen.de](http://www.drw-armaturen.de)

