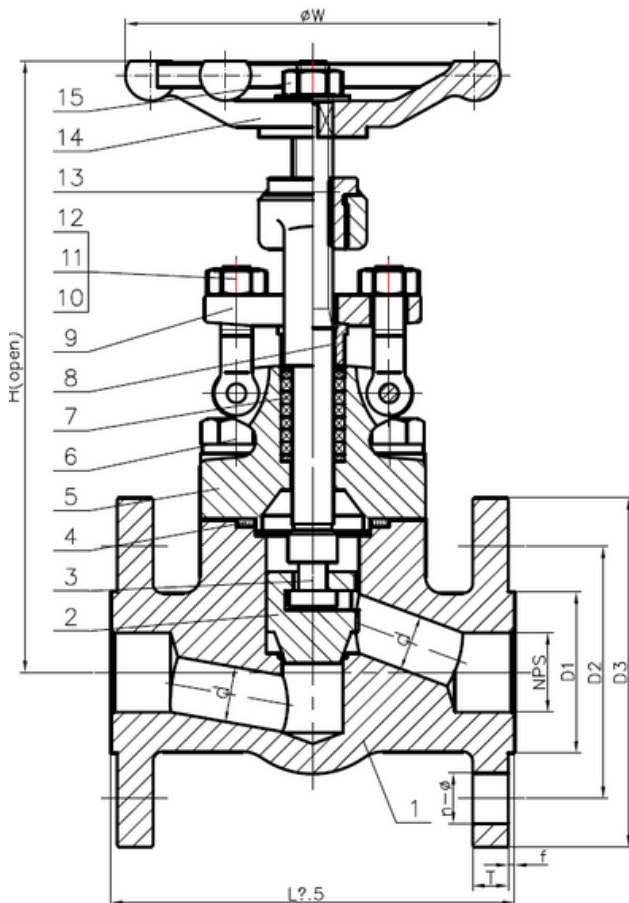


## TYPE: AGV1420

ANSI Absperrventil 1/2" – 2" Class150

ANSI Globe Valve 1/2" – 2" Class150



### Technical Specification:

1. Design and machining acc. API602
2. Inspection and test acc. API598
3. Face to Face acc. B16.10
4. Dimension of connection end flange acc. B16.5

### **DRW Industrietechnik GmbH**

Bodenschwinger Str. 125

D-44357 Dortmund

Telefon: +49 2 31 - 92 71 44-0

info@drw-armaturen.de

[www.drw-armaturen.de](http://www.drw-armaturen.de)



## Abmessungen / Dimensions:

| SIZE   | L   | W   | H (open) | d    | D1   | D2    | D3  | T    | E | n-ø  |
|--------|-----|-----|----------|------|------|-------|-----|------|---|------|
| 1/2"   | 108 | 100 | 159      | 10.0 | 34.9 | 60.3  | 90  | 9.6  | 2 | 4-16 |
| 3/4"   | 117 | 100 | 163      | 12.0 | 42.9 | 69.9  | 100 | 11.2 | 2 | 4-16 |
| 1"     | 127 | 125 | 193      | 17.0 | 50.8 | 79.4  | 110 | 12.7 | 2 | 4-16 |
| 1-1/4" | 140 | 160 | 222      | 22.5 | 63.5 | 88.9  | 115 | 14.3 | 2 | 4-16 |
| 1-1/2" | 165 | 160 | 233      | 28.0 | 73.0 | 98.4  | 125 | 15.9 | 2 | 4-16 |
| 2"     | 203 | 180 | 273      | 35.0 | 92.1 | 120.7 | 150 | 17.5 | 2 | 4-19 |

## Materialien / Materials:

| No. | Part Name    | Material       |
|-----|--------------|----------------|
| 1   | Body         | ASTM A105+STL  |
| 2   | Disc         | 13Cr           |
| 3   | Stem         | 13Cr           |
| 4   | Gasket       | SS304+Graphite |
| 5   | Bonnet       | ASTM A105+STL  |
| 6   | Bolt         | A193 B7        |
| 7   | Packing      | Graphite       |
| 8   | Gland        | 13Cr           |
| 9   | Gland Flange | ASTM A105      |
| 10  | Bolt         | A193 B7        |
| 11  | Nut          | A194 2H        |
| 12  | Pin          | 1025           |
| 13  | Stem Nut     | 1Cr13          |
| 14  | Hand Wheel   | A197           |
| 15  | H.W Lock Nut | Carbon Steel   |

### **DRW Industrietechnik GmbH**

Bodenschwinger Str. 125

D-44357 Dortmund

Telefon: +49 2 31 - 92 71 44-0

info@drw-armaturen.de

[www.drw-armaturen.de](http://www.drw-armaturen.de)

