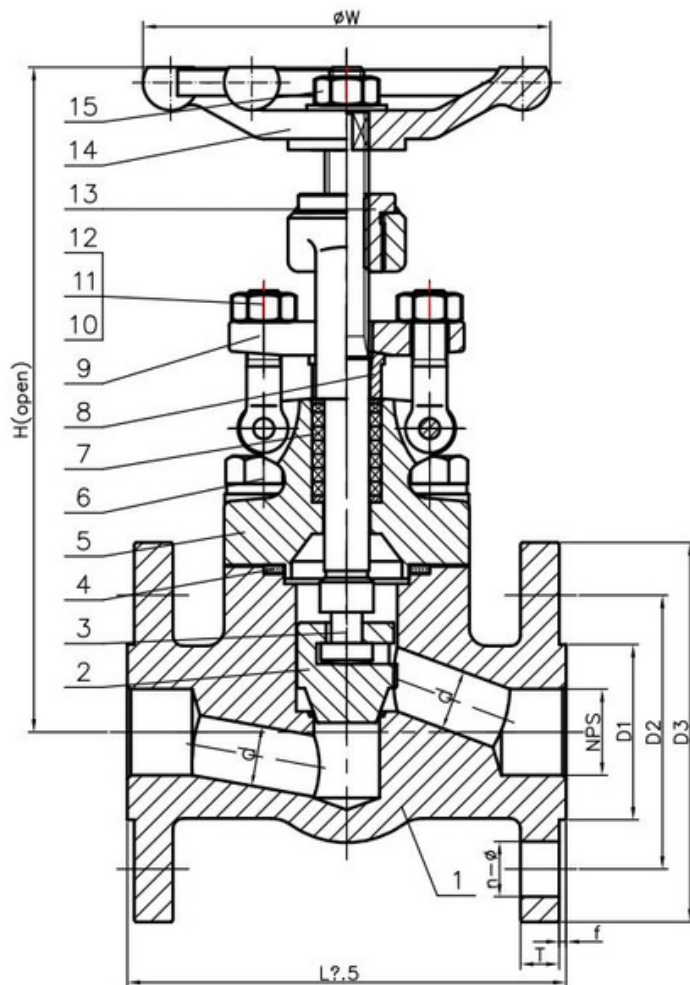


## TYPE: AGV1438

Absperrventil 0,5"- 2" Class150

Globe Valve 0,5"- 2" Class150



### Technical Specification:

1. Design and machining API 602
2. Inspection and test acc. API 598
3. Face to Face acc. ASME B16.10
4. Dimension of connection end flange acc. ASME B16.5

### **DRW Industrietechnik GmbH**

Bodenschwinger Str. 125

D-44357 Dortmund

Telefon: +49 2 31 - 92 71 44-0

info@drw-armaturen.de

[www.drw-armaturen.de](http://www.drw-armaturen.de)



## Abmessungen / Dimensions:

SIZE	L	W	H (open)	d	D1	D2	D3	T	f	n-ø
1/2"	108	100	159	10.0	34.9	60.3	90	9.6	2	4-16
3/4"	117	100	163	12.0	42.9	69.9	100	11.2	2	4-16
1"	127	125	193	17.0	50.8	79.4	110	12.7	2	4-16
1-1/4"	140	160	222	22.5	63.5	88.9	115	14.3	2	4-16
1-1/2"	165	160	233	28.0	73.0	98.4	125	15.9	2	4-16
2"	203	180	273	35.0	92.1	120.7	150	17.5	2	4-19

## Materialien / Materials:

No.	Part Name	Material
1	Body	LF2+STL
2	Disc	13Cr
3	Stem	13Cr
4	Gasket	SS304+Graphite
5	Bonnet	LF2
6	Bolt	L7
7	Packing	Graphite
8	Gland	13Cr
9	Gland Flange	LF2
10	Bolt	L7
11	Nut	7
12	Pin	1025
13	Stem Nut	1Cr13
14	Hand Wheel	A197
15	H.W Lock Nut	Carbon Steel

### **DRW Industrietechnik GmbH**

Bodenschwinger Str. 125

D-44357 Dortmund

Telefon: +49 2 31 - 92 71 44-0

info@drw-armaturen.de

[www.drw-armaturen.de](http://www.drw-armaturen.de)

