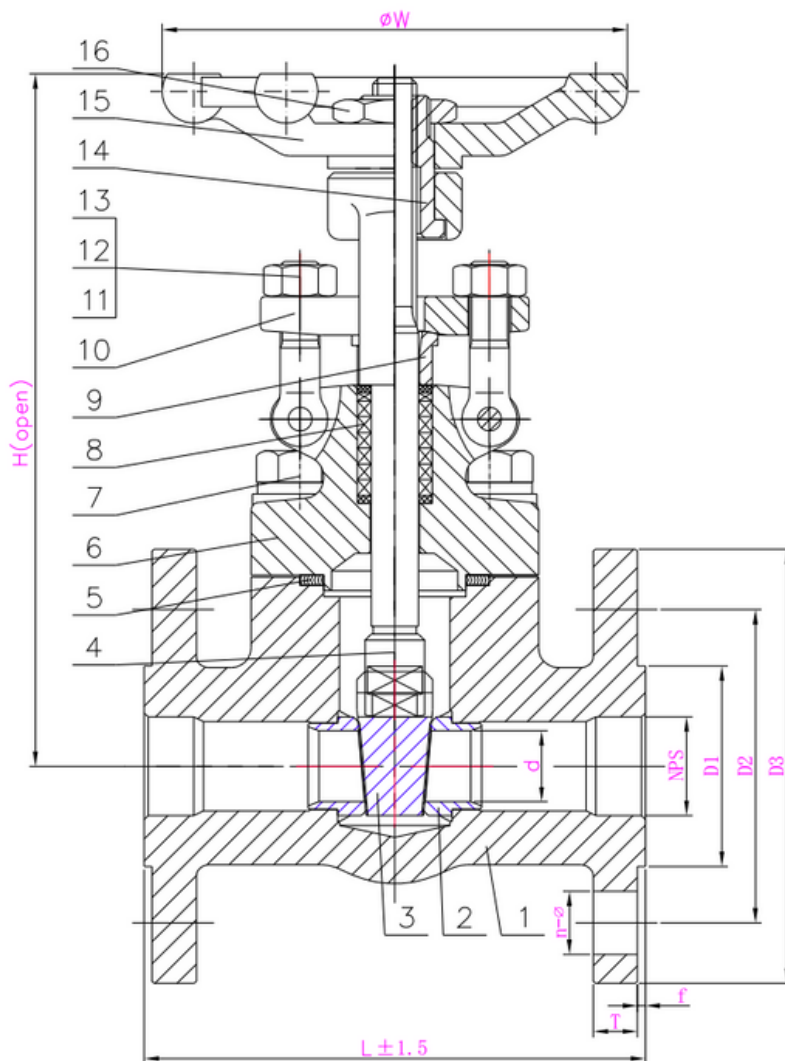


## TYPE: AKS1432

ANSI Kleinschieber ½" – 2" Class150

ANSI Gate Valve ½" – 2" Class150



### Technical Specification:

1. Design and machining acc. API602
2. Inspection and test acc. API598
3. Face to Face acc. B16.10
4. Dimension of connection end flange acc. B16.5

### **DRW Industrietechnik GmbH**

Bodenschwinger Str. 125

D-44357 Dortmund

Telefon: +49 2 31 - 92 71 44-0

info@drw-armaturen.de

[www.drw-armaturen.de](http://www.drw-armaturen.de)



## Abmessungen / Dimensions:

SIZE	L	W	H (open)	d	D1	D2	D3	T	f	n-ø
1/2"	108	100	152	10.0	34.9	60.3	90	9.6	2	4-16
3/4"	117	100	155	13.5	42.9	69.9	100	11.2	2	4-16
1"	127	125	186	18.0	50.8	79.4	110	12.7	2	4-16
1-1/4"	140	160	212	23.0	63.5	88.9	115	14.3	2	4-16
1-1/2"	165	160	236	28.5	73.0	98.4	125	15.9	2	4-16
2"	178	180	269	36.0	92.1	120.7	150	17.5	2	4-19

## Materialien / Materials:

No.	Part Name	Material
1	Body	F304L
2	Seat	F316
3	Disc	F316
4	Stem	F316
5	Gasket	SPW X2CrNi19-11/PTFE
6	Bonnet	F304L
7	Bolt	A193 B8 CL2
8	Packing	PTFE/Graphite
9	Gland	F316
10	Gland Flange	F304L
11	Bolt	A193 B8 CL2
12	Nut	A194 8
13	Pin	1Cr13
14	Stem Nut	1Cr13
15	Hand Wheel	A197
16	H.W Lock Nut	Carbon Steel

### **DRW Industrietechnik GmbH**

Bodenschwinger Str. 125

D-44357 Dortmund

Telefon: +49 2 31 - 92 71 44-0

info@drw-armaturen.de

[www.drw-armaturen.de](http://www.drw-armaturen.de)

