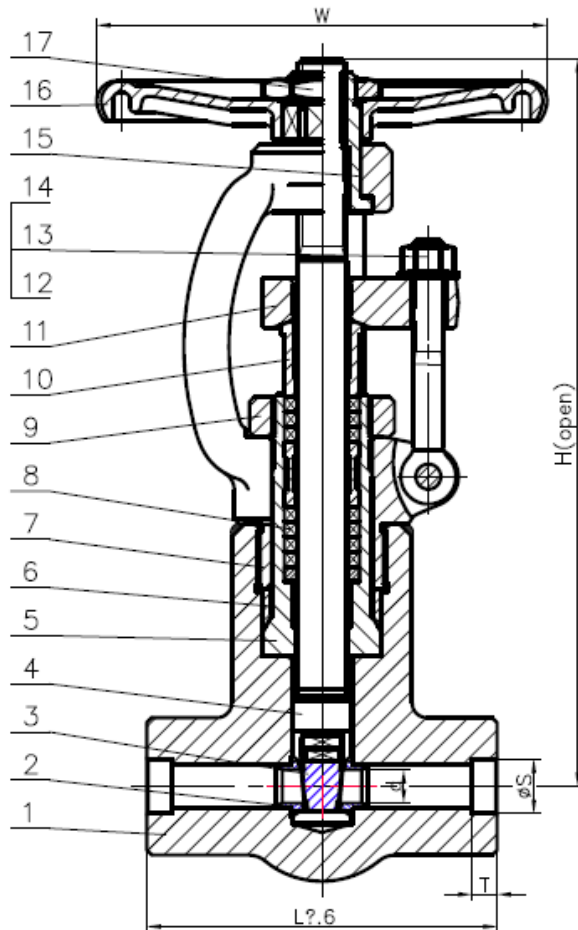


TYPE: AKS2120 - SW

ANSI Kleinschieber 1/2 – 2“ Class2500

ANSI Gate Valve 1/2 – 2“ Class2500



Technical Specification:

1. Design and machining ASME B16.34
2. Inspection and test acc. API 598
3. Face to Face acc. Manufacturer Standard
4. Dimension of connection SW acc. ASME B16.11

DRW Industrietechnik GmbH

Bodenschwinger Str. 125

D-44357 Dortmund

Telefon: +49 2 31 - 92 71 44-0

info@drw-armaturen.de

www.drw-armaturen.de



Abmessungen / Dimensions:

SIZE	L	W	H (open)	d	øS	T
1/2"	186	200	321	10.0	21.8	10
3/4"	186	200	321	13.5	27.2	13
1"	186	200	326	18.0	33.9	13
1-1/4"	216	250	415	23.0	42.7	13
1-1/2"	216	250	506	28.5	48.8	13
2"	279	300	521	36.0	61.2	16

Materialien / Materials:

No.	Part Name	Material
1	Body	ASTM A105
2	Seat	13Cr+STL
3	Disc	13Cr+STL
4	Stem	13Cr
5	Sealing Seat	13Cr
6	Sealing Ring	SS304
7	Bonnet	ASTM A105
8	Packing	Graphite
9	P.s Nut	13Cr
10	Gland	13Cr
11	Gland Flang	ASTM A105
12	Bolt	A193 B7
13	Nut	A194 2H
14	Pin	1025
15	Stem Nut	1Cr13
16	Hand Wheel	A197
17	H.W Lock Nut	Carbon Steel

DRW Industrietechnik GmbH

Bodenschwinger Str. 125

D-44357 Dortmund

Telefon: +49 2 31 - 92 71 44-0

info@drw-armaturen.de

www.drw-armaturen.de

