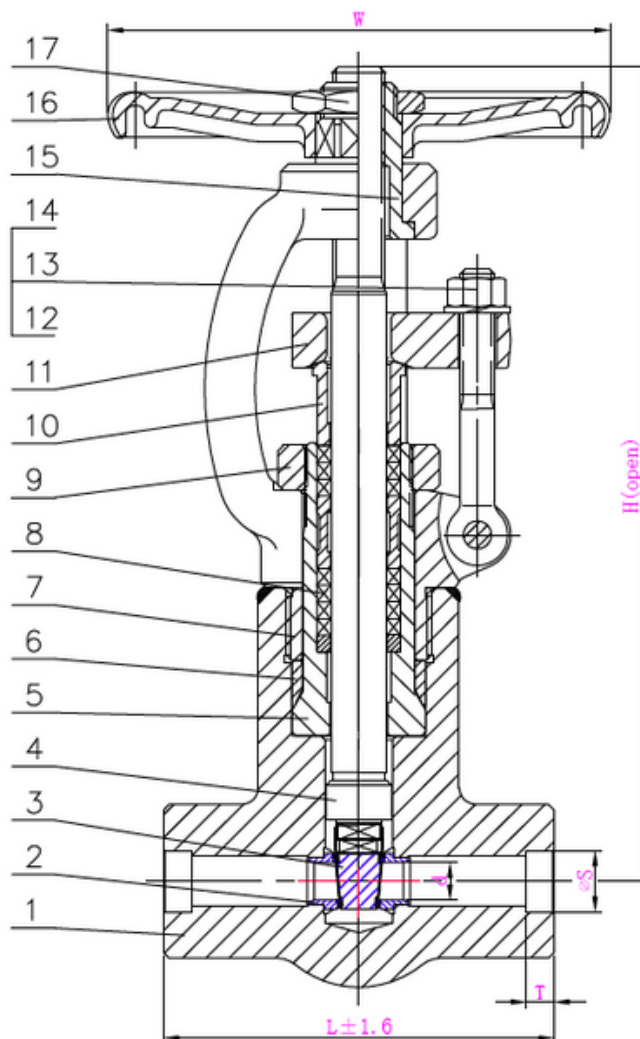


## TYPE: AKS2122 - SW

ANSI Kleinschieber 1/2 – 2“ Class2500

ANSI Gate Valve 1/2 – 2“ Class2500



### Technical Specification:

1. Design and machining ASME B16.34
2. Inspection and test API598
3. Face to Face acc. Manufacturer Standard
4. Dimension of connection SW acc. ASME B16.11

### **DRW Industrietechnik GmbH**

Bodelschwingher Str. 125

D-44357 Dortmund

Telefon: +49 2 31 - 92 71 44-0

info@drw-armaturen.de

[www.drw-armaturen.de](http://www.drw-armaturen.de)



## Abmessungen / Dimensions:

SIZE	L	W	H (open)	d	øS	T
1/2"	186	200	321	10.0	21.8	10
3/4"	186	200	321	13.5	27.2	13
1"	186	200	326	18.0	33.9	13
1-1/4"	216	250	415	23.0	42.7	13
1-1/2"	216	250	506	28.5	48.8	13
2"	279	300	521	36.0	61.2	16

## Materialien / Materials:

No.	Part Name	Material
1	Body	F22
2	Seat	13Cr+STL
3	Disc	13Cr+STL
4	Stem	13Cr
5	Sealing Seat	13Cr
6	Sealing Ring	SS304
7	Bonnet	F22
8	Packing	Graphite
9	P.s Nut	13Cr
10	Gland	13Cr
11	Gland Flang	F22
12	Bolt	B16
13	Nut	4
14	Pin	1025
15	Stem Nut	1Cr13
16	Hand Wheel	A197
17	H.W Lock Nut	Carbon Steel

### **DRW Industrietechnik GmbH**

Bodenschwinger Str. 125

D-44357 Dortmund

Telefon: +49 2 31 - 92 71 44-0

info@drw-armaturen.de

[www.drw-armaturen.de](http://www.drw-armaturen.de)

