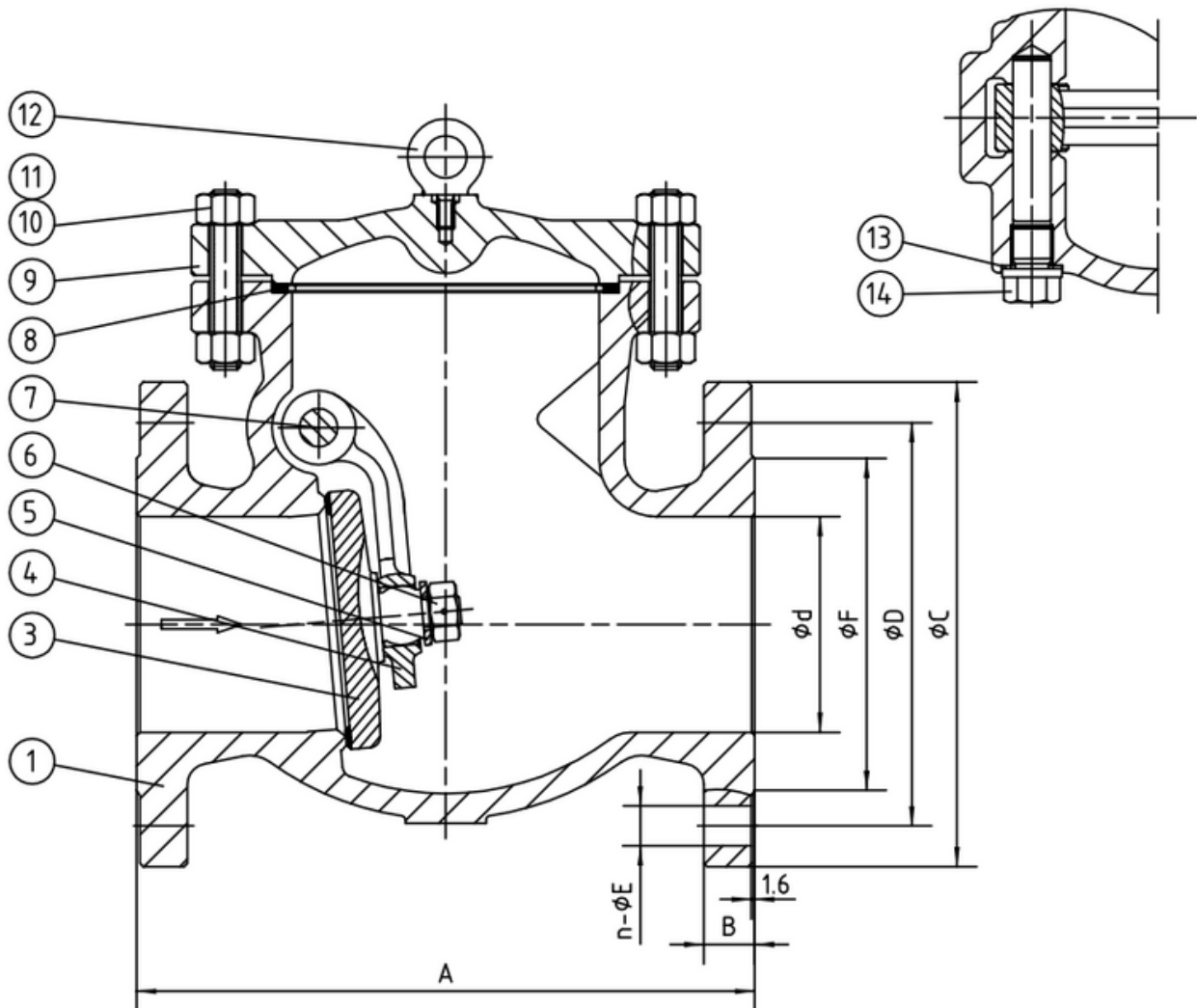


TYPE: ARK1437

ANSI Rückschlagklappe 4" – 24" Cl.150

ANSI Swing Check Valve 4" – 24" Cl.150



Technical Specification:

1. Valve According to BS: 1868
2. Inspection and test acc. API598
3. Face to Face acc. ASME B16.10
4. Dimension of connection end flange acc. ASME B16.5

DRW Industrietechnik GmbH

Bodenschwinger Str. 125

D-44357 Dortmund

Telefon: +49 2 31 - 92 71 44-0

info@drw-armaturen.de

www.drw-armaturen.de



Abmessungen / Dimensions:

SIZE	d	A	B	C	D	n	E	F
4"	101.6	292	24	230	190.5	8	19	157
6"	152.4	356	26	280	241.5	8	22	216
12"	304.8	698	32	485	432	12	25	381
14"	336.6	787	35	535	476	12	29	413
16"	387.4	864	37	595	540	16	29	470
24"	590.6	1295	48	815	749.5	20	35	692

Materialien / Materials:

No.	Part Name	Material
1	Body	ASTM A351-CF8M
3	Disc	ASTM A182-F316
4	ARM	ASTM A351-CF8M
5	Disc washer	ASTM A276-316
6	Disc nut	ASTM A276-316
7	Hinge oin	ASTM A182-F316
8	Cover gasket	SS316 + Graphite
9	Cover gasket	ASTM A351-CF8M
10	Cover STUDS	ASTM193-B8
11	Cover nuts	ASTM A194-8
12	Eye bolt	ASTM A29-1035
13	Plug gasket	SS316 + Graphite
14	Plug	ASTM A276-316

DRW Industrietechnik GmbH

Bodenschwinger Str. 125

D-44357 Dortmund

Telefon: +49 2 31 - 92 71 44-0

info@drw-armaturen.de

www.drw-armaturen.de

