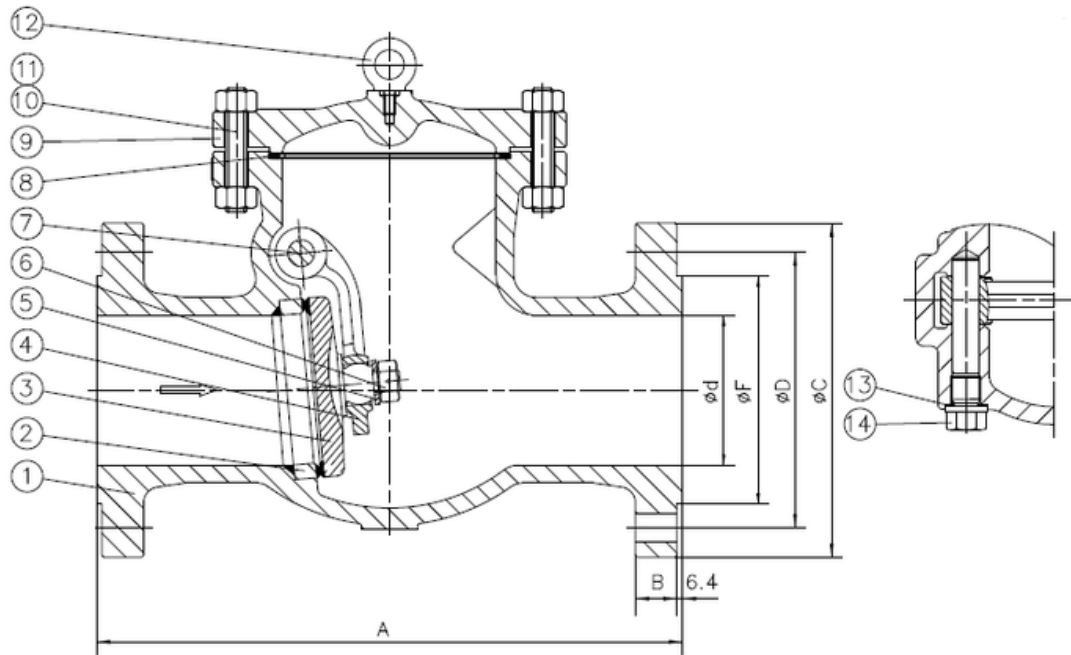


TYPE: ARK1721

Rückschlagklappe 4"- 24" Class600
Swing Check Valve 4"- 24" Class600



Technical Specification:

1. Design and machining BS 1868
2. Inspection and test acc. API 598
3. Face to Face acc. ASME B16.10
4. Dimension of connection end flange acc. ASME B16.5

DRW Industrietechnik GmbH

Bodenschwinger Str. 125

D-44357 Dortmund

Telefon: +49 2 31 - 92 71 44-0

info@drw-armaturen.de

www.drw-armaturen.de



Abmessungen / Dimensions:

SIZE	d	A	B	C	D	n	E	F
4"	101.6	432	38	275	216	8	25	157
6"	152.4	559	48	355	292	12	29	216
8"	199.9	660	56	420	349	12	32	270
10"	247.7	787	64	510	432	16	35	324
12"	298.5	838	67	560	489	20	35	381
14"	326.9	889	70	605	527	20	35	381
16"	374.7	991	77	685	603	20	41	470
18"	419.1	1092	83	745	654	20	44	533
20"	463.6	1194	89	815	724	24	44	584
24"	558.8	1397	102	940	838	24	52	692

Materialien / Materials:

No.	Part Name	Material
1	Body	ASTM A216-WCB
2	Seat Ring	ASTM A105+STL
3	Disc	ASTM A105+Cr13
4	Arm	ASTM A216-WCB
5	Disc Washer	ASTM A276-410
6	Disc Nut	ASTM A276-410
7	Hinge Pin	ASTM A182-F6a
8	Cover Gasket	SS304+Graphite
9	Cover	ASTM A216-WCB
10	Cover Studs	ASTM A193-B7
11	Cover Nuts	ASTM A194-2H
12	Eye Bolt	ASTM A29-1035
13	Plug Gasket	SS304+Graphite
14	Plug	ASTM A29-1035

DRW Industrietechnik GmbH

Bodenschwinger Str. 125

D-44357 Dortmund

Telefon: +49 2 31 - 92 71 44-0

info@drw-armaturen.de

www.drw-armaturen.de

