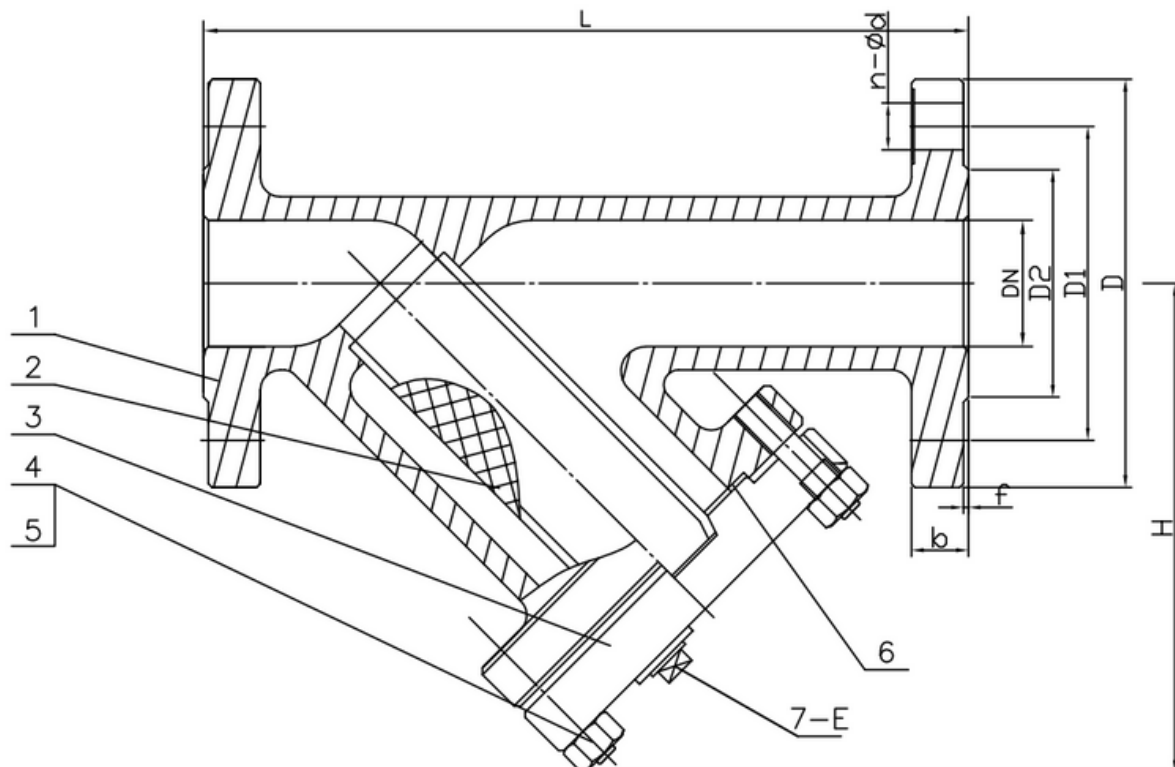


TYPE: ASF1488

ANSI Schmutzfänger 0,5" – 1,5" Cl.150

ANSI Strainer 0,5" – 1,5" Cl.150



Technical Specification:

1. Material Standard: ANSI B16.34
2. Inspection and test acc. API598
3. Face to Face acc. B16.10
4. Dimension of connection end flange acc. B16.5

DRW Industrietechnik GmbH

Bodenschwinger Str. 125

D-44357 Dortmund

Telefon: +49 2 31 - 92 71 44-0

info@drw-armaturen.de

www.drw-armaturen.de



Abmessungen / Dimensions:

SIZE	L	H	D	D1	D2	n-ød	b	f	e
1/2"	140	90	90	60.3	35	4-16	11.6	2	G 1/2
3/4"	152	90	100	70	43	4-16	13.2	2	G 1/2
1"	165	115	110	79.4	51	4-16	14.7	2	G 1/2
1-1/4"	178	130	115	88.9	64	4-16	16.3	2	G 1/2
1-1/2"	190	155	125	98.4	73	4-16	17.9	2	G 1/2

Materialien / Materials:

No.	Part Name	Material
1	Body	ASTM A216 WCB
2	Screen	SS304
3	Bonnet	ASTM A216 WCB
4	Body Bolt	ASTM A193 B7
5	Bonnet Nut	ASTM A194 2H
6	Gasket	Graphite + 304
7	Plug	ASTM A105

DRW Industrietechnik GmbH

Bodenschwinger Str. 125

D-44357 Dortmund

Telefon: +49 2 31 - 92 71 44-0

info@drw-armaturen.de

www.drw-armaturen.de

