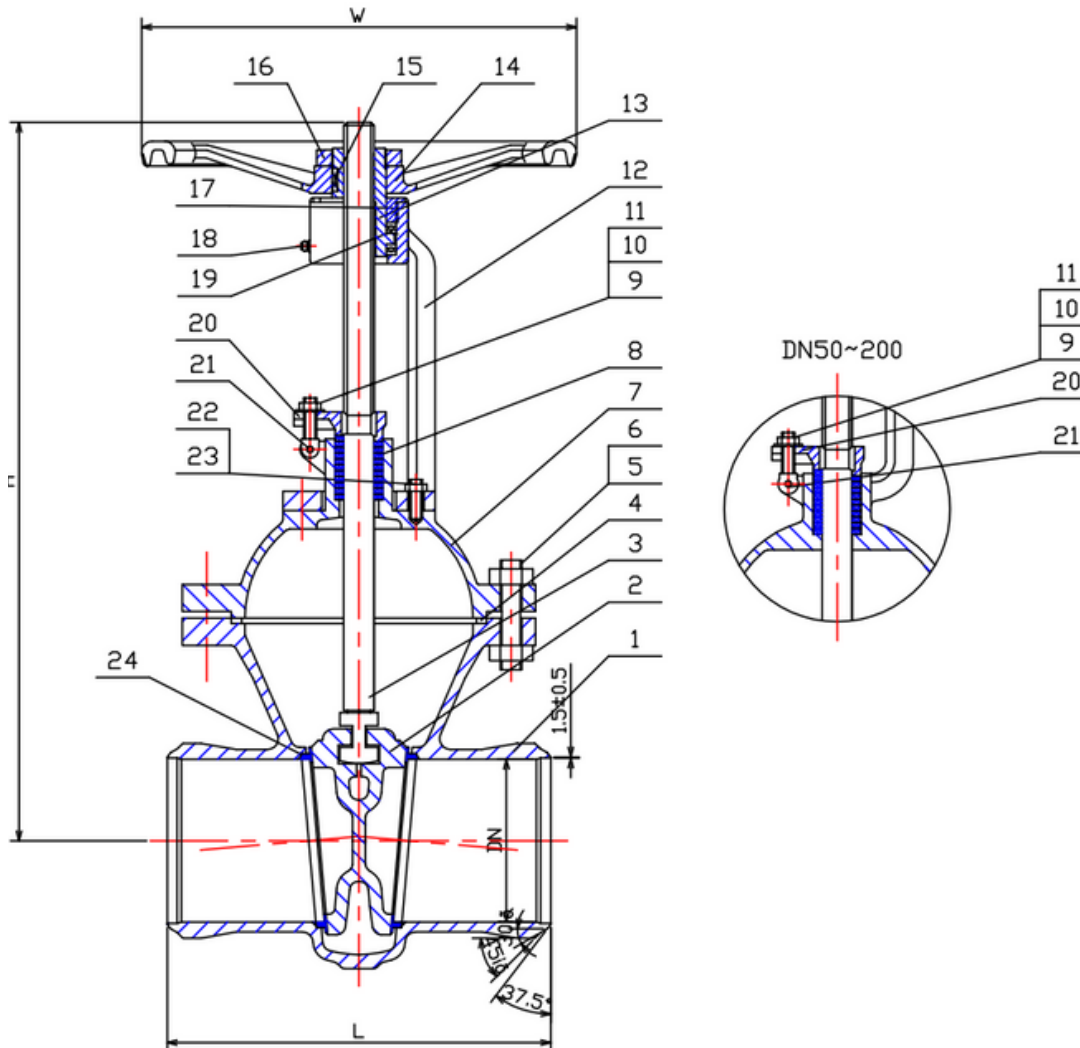


TYPE: DAS0302

DIN Absperrschieber DN50 – DN600 PN25

DIN Gate Valve DN50 – DN600 PN25



Technical Specification:

1. Design and machining acc. with EN1984
2. Inspection and test acc. EN12266-1
3. Face to Face acc. EN558-1 Gr.15
4. BW end in accordance with EN 12627

DRW Industrietechnik GmbH

Bodenschwinger Str. 125

D-44357 Dortmund

Telefon: +49 2 31 - 92 71 44-0

info@drw-armaturen.de

www.drw-armaturen.de



Abmessungen / Dimensions:

DN	L	W	H
50	250	200	325
65	270	225	365
80	280	225	405
100	300	250	475
125	325	360	560
150	350	400	645
200	400	400	800
250	450	450	945
300	500	500	1130
350	550	500	1260
400	600	600	1416
500	700	720	1760
600	800	750	2030

Materialien / Materials:

No.	Part Name	Material
1	Body	GS-C25N
2	Wedge Disc	GS-C25N + 13 Cr
3	Stem	1.4006
4	Gasket	1.4301 + Graphite
5	Studbolt	G
6	Nut	YK
7	Bonnet	GS-C25N
8	Gland Packing	Graphite
9	Studblot	G
10	Nut	YK
11	Washer	1.0402
12	Yoke	GS-C25N
13	Yoke Sleeve	GGG - 40
14	Hand Wheel	GGG - 40
15	Key	1.0503
16	Lock Nut	1.0501
17	Bonnet Nut	1.0501
18	Grease Nipple	1.0402
19	Roll Axletree	Axletree Steel
20	Gland Foring	GS-C25N
21	Pin	1.0501
22	Studbolt	G
23	Nut	YK
24	Seat Ring	C22.8 + 13 Cr

DRW Industrietechnik GmbH

Bodenschwinger Str. 125

D-44357 Dortmund

Telefon: +49 2 31 - 92 71 44-0

info@drw-armaturen.de

www.drw-armaturen.de

