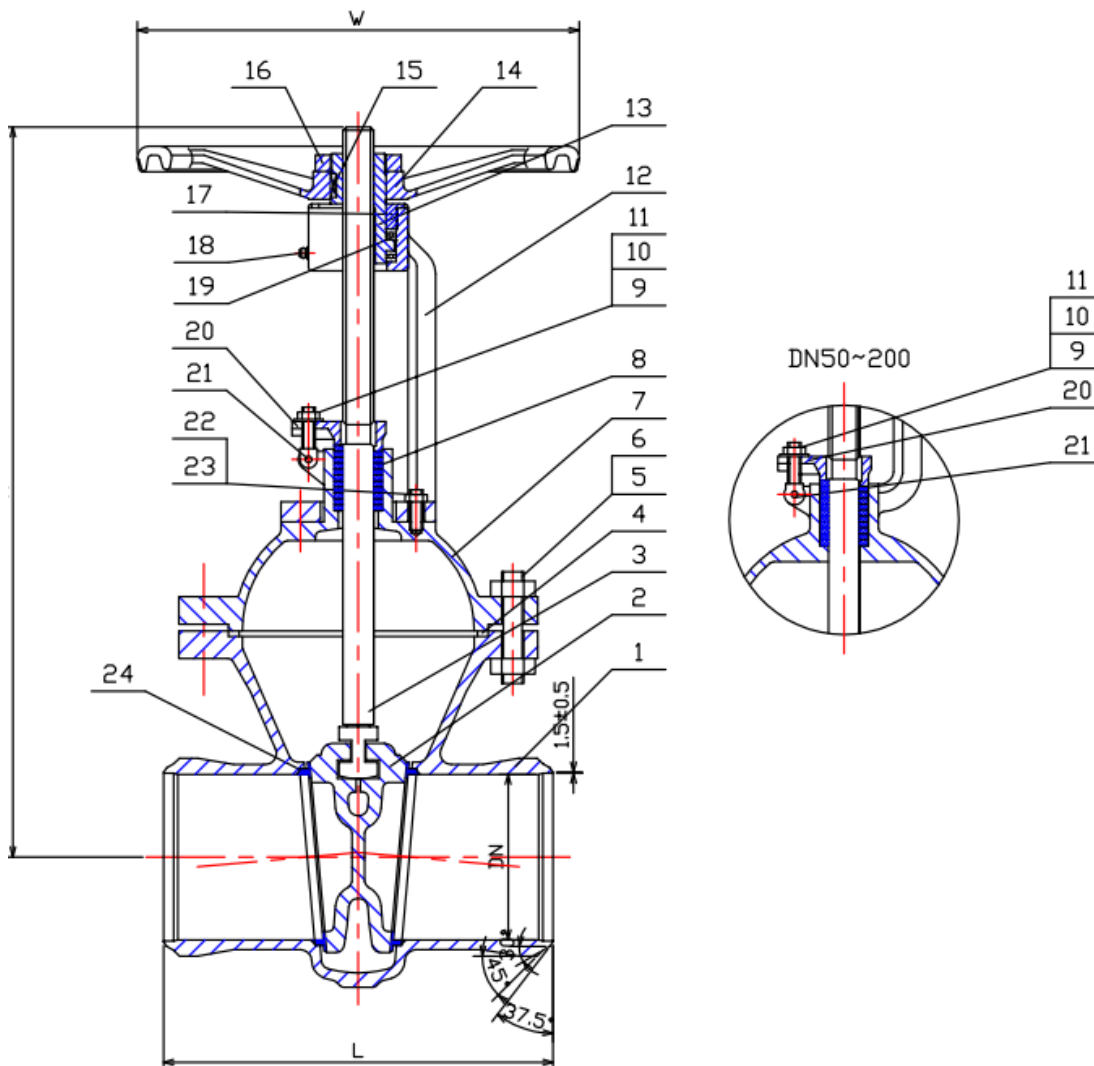


## TYPE: DAS0402

DIN Absperrschieber DN50 – DN600 PN40

DIN Gate Valve DN50 – DN600 PN40



### Technical Specification:

1. Design and machining acc. with EN1984
2. Inspection and test acc. EN12266-1
3. Face to Face acc. EN12982 Gr.26
4. BW end in accordance with EN 12627

### **DRW Industrietechnik GmbH**

Bodenschwinger Str. 125

D-44357 Dortmund

Telefon: +49 2 31 - 92 71 44-0

info@drw-armaturen.de

[www.drw-armaturen.de](http://www.drw-armaturen.de)



## Abmessungen / Dimensions:

DN	L	W	H
50	250	200	325
65	290	225	365
80	310	225	405
100	350	250	475
125	400	360	560
150	450	400	645
200	550	400	800
250	650	450	945
300	750	500	1130
350	850	600	1300
400	950	700	1450
500	1150	900	1845
600	1350	1000	2180

## Materialien / Materials:

No.	Part Name	Material
1	Body	GS - C25N
2	Wedge Disc	GS - C25N + 13 Cr
3	Stem	1.4006
4	Gasket	1.4301 + Graphite
5	Studbolt	G
6	Nut	YK
7	Bonnet	GS - C25N
8	Gland Packing	Graphite
9	Studbolt	G
10	Nut	YK
11	Washer	1.0402
12	Yoke	GS - C25N
13	Yoke Sleeve	GGG - 40
14	Hand Wheel	GGG - 40
15	Key	1.0503
16	Lock Nut	1.0501
17	Bonnet Nut	1.0501
18	Grease Nipple	1.0402
19	Roll Axletree	Axletree Steel
20	Gland Foring	GS - C25N
21	Pin	1.0501
22	Studbolt	G
23	Nut	YK
24	Seat Ring	C22.8 + 13 Cr

### **DRW Industrietechnik GmbH**

Bodenschwinger Str. 125

D-44357 Dortmund

Telefon: +49 2 31 - 92 71 44-0

info@drw-armaturen.de

[www.drw-armaturen.de](http://www.drw-armaturen.de)

