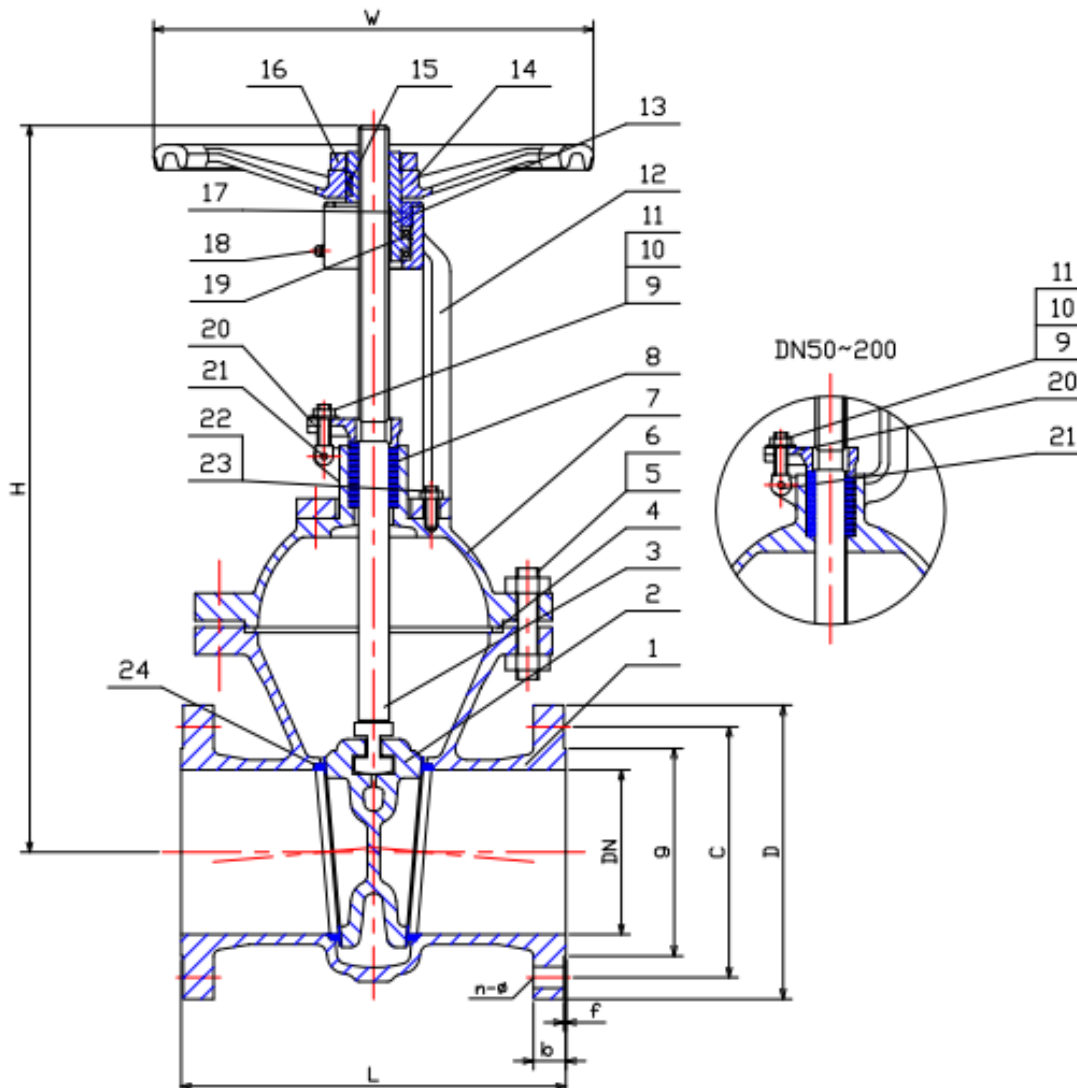


TYPE: DAS0409

DIN Absperrschieber DN50 – DN600 PN40

DIN Gate Valve DN50 – DN600 PN40



Technical Specification:

1. Design and machining acc. with EN1984
2. Inspection and test acc. EN12266-1
3. Face to Face acc. EN558-1 Gr.26
4. Dimension of connection end flange in accordance with EN1092

DRW Industrietechnik GmbH

Bodenschwinger Str. 125

D-44357 Dortmund

Telefon: +49 2 31 - 92 71 44-0

info@drw-armaturen.de

www.drw-armaturen.de



Abmessungen / Dimensions:

| DN | L | g | C | D | b | n-ø | f | W | H |
|-----|------|-----|-----|-----|----|-------|---|------|------|
| 50 | 250 | 102 | 125 | 165 | 20 | 4-18 | 3 | 200 | 325 |
| 65 | 290 | 122 | 145 | 185 | 22 | 8-18 | 3 | 225 | 365 |
| 80 | 310 | 138 | 160 | 200 | 24 | 8-18 | 3 | 225 | 405 |
| 100 | 350 | 162 | 190 | 235 | 24 | 8-22 | 3 | 250 | 475 |
| 125 | 400 | 188 | 220 | 270 | 26 | 8-26 | 3 | 360 | 560 |
| 150 | 450 | 218 | 250 | 300 | 28 | 8-26 | 3 | 400 | 645 |
| 200 | 550 | 285 | 320 | 375 | 34 | 12-30 | 3 | 400 | 800 |
| 250 | 650 | 345 | 385 | 450 | 38 | 12-33 | 3 | 450 | 945 |
| 300 | 750 | 410 | 450 | 515 | 42 | 16-33 | 4 | 500 | 1130 |
| 350 | 850 | 465 | 510 | 580 | 46 | 16-36 | 4 | 600 | 1300 |
| 400 | 950 | 535 | 585 | 660 | 50 | 16-39 | 4 | 700 | 1450 |
| 500 | 1150 | 615 | 670 | 755 | 52 | 20-42 | 4 | 900 | 1845 |
| 600 | 1350 | 735 | 795 | 890 | 60 | 20-48 | 5 | 1000 | 2180 |

Materialien / Materials:

| No. | Part Name | Material |
|-----|---------------|-------------------|
| 1 | Body | 1.4408 |
| 2 | Wedge Disc | 1.4408 |
| 3 | Stem | 1.4401 |
| 4 | Gasket | 1.4401 + Graphite |
| 5 | Studbolt | A4 |
| 6 | Nut | A4 |
| 7 | Bonnet | 1.4408 |
| 8 | Gland Packing | Graphite |
| 9 | Studbolt | A4 |
| 10 | Nut | A4 |
| 11 | Washer | 1.4301 |
| 12 | Yoke | 1.4408 |
| 13 | Yoke Sleeve | GGG - 40 |
| 14 | Hand Wheel | GGG - 40 |
| 15 | Key | 1.4006 |
| 16 | Lock Nut | 1.4006 |
| 17 | Bonnet Nut | 1.4006 |
| 18 | Grease Nipple | 1.0402 |
| 19 | Roll Axletree | Axletree Steel |
| 20 | Gland Foring | 1.4408 |
| 21 | Pin | 1.4006 |
| 22 | Studbolt | A4 |
| 23 | Nut | A4 |
| 24 | Seat Ring | 1.4401 + Stellite |

DRW Industrietechnik GmbH

Bodenschwinger Str. 125

D-44357 Dortmund

Telefon: +49 2 31 - 92 71 44-0

info@drw-armaturen.de

www.drw-armaturen.de

