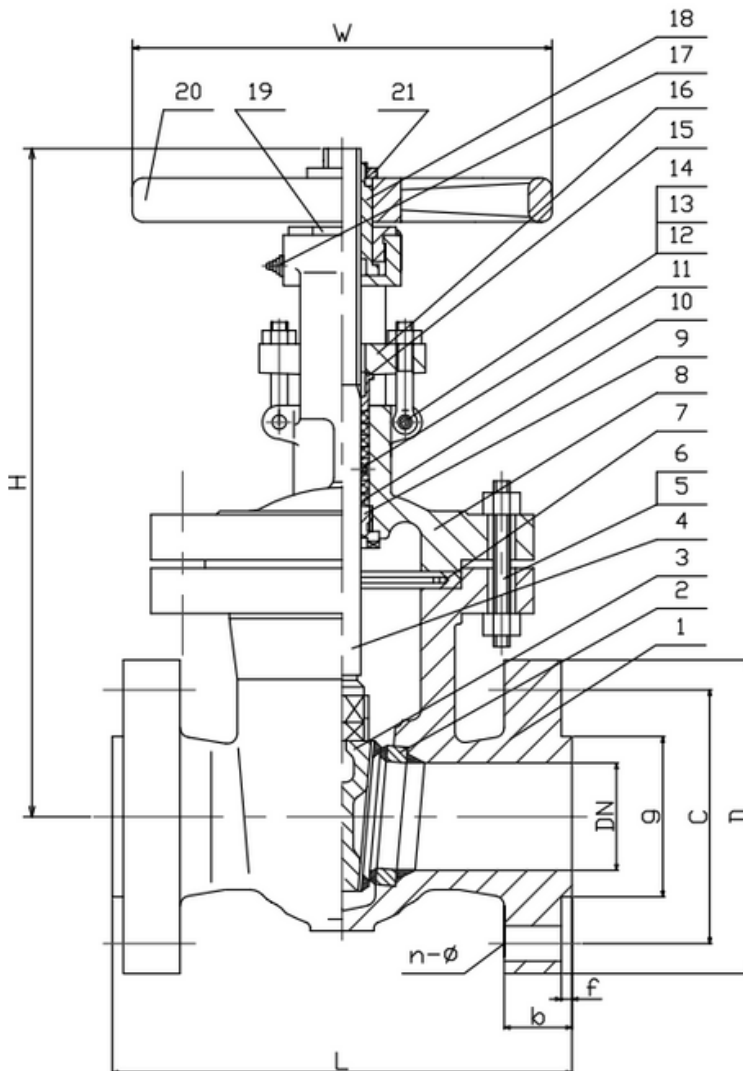


## TYPE: DAS0614

DIN Absperrschieber DN50 – DN150 PN100

DIN Gate Valve DN50 – DN150 PN100



### Technical Specification:

1. Design and machining acc. with EN1984
2. Inspection and test acc. EN12266-1
3. Face to Face acc. EN 558 : Grundreihe 26
4. Dimension of connection end flange accordance with EN1092-1

### **DRW Industrietechnik GmbH**

Bodenschwinger Str. 125

D-44357 Dortmund

Telefon: +49 2 31 - 92 71 44-0

info@drw-armaturen.de

[www.drw-armaturen.de](http://www.drw-armaturen.de)



## Abmessungen / Dimensions:

DN	L	g	C	D	b	n-ø	F	W	H
50	250	102	145	195	8-26	30	3	450	380
65	290	122	170	220	8-26	34	3	400	425
80	310	138	180	230	8-26	36	3	350	470
100	350	162	210	265	8-30	40	3	300	560
125	400	188	250	315	8-33	40	3	250	605
150	450	218	290	355	12-33	44	3	250	650

## Materialien / Materials:

No.	Part Name	Material
1	Body	1.4581
2	Seat Ring	1.4571 + Stellite
3	Wedge Disc	1.4581
4	Stem	1.4571
5	Studbolt	A4
6	Nut	A4
7	Gasket	1.4401 + Graphite
8	Bonnet	1.4581
9	Backseat	1.4571
10	Gland Packing	Graphite
11	Jacket	1.4571
12	Studbolt	A4
13	Nut	A4
14	Pin	1.4006
15	Gland Follower	1.4571
16	Gland Flange	1.4581
17	Grease Nippel	Brass
18	Yoke Sleeve	D2
19	Bonnet Nut	1.4006
20	Handwheel	GGG-40
21	Lock Nut	1.4006

### **DRW Industrietechnik GmbH**

Bodenschwinger Str. 125

D-44357 Dortmund

Telefon: +49 2 31 - 92 71 44-0

info@drw-armaturen.de

[www.drw-armaturen.de](http://www.drw-armaturen.de)

