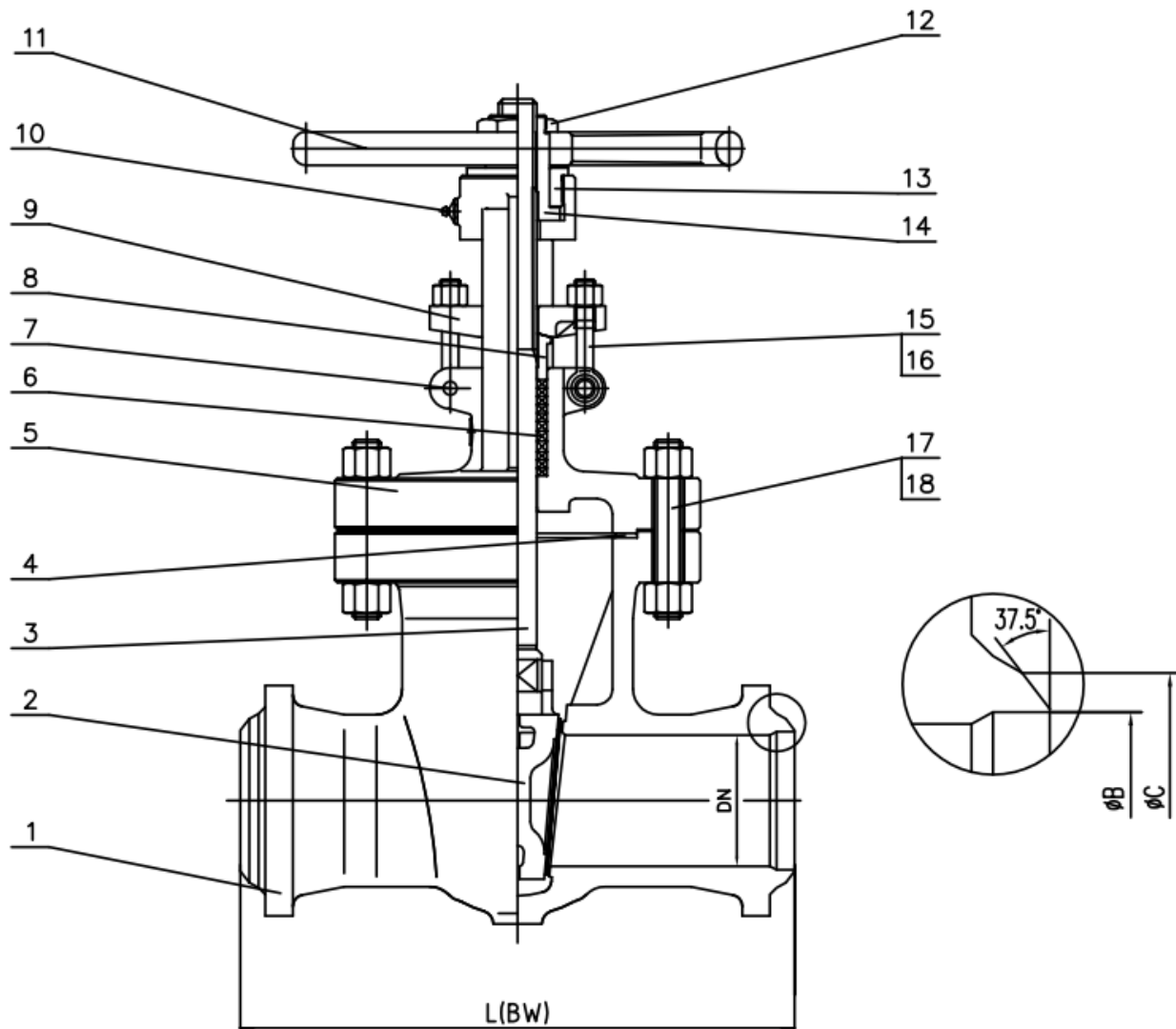


TYPE: DAS0774

DIN Absperrschieber DN80 – DN100 PN160

DIN Gate Valve DN80 – DN100 PN160



Technical Specification:

1. Design and machining acc. with EN1984
2. Butt Welding: EN12627
3. Face to Face acc. EN 12982 : GR 90
4. Test: EN12266-1

DRW Industrietechnik GmbH

Bodenschwinger Str. 125

D-44357 Dortmund

Telefon: +49 2 31 - 92 71 44-0

info@drw-armaturen.de

www.drw-armaturen.de



Abmessungen / Dimensions:

DN	L	B	C
80	390	68.9	88.9
80	390	66.9	88.9
100	600	85.9	114.3

Materialien / Materials:

No.	Part Name	Material
1	Body	1.5419 + STL
2	Wedge	1.5419 + STL
3	Stem	1.4006
4	Gasket	1.4301 + Graphite
5	Bonnet	1.5419
6	Packing	Graphite
7	Pin	1035
8	Gland	1.4006
9	Gland Flange	1.5419
10	Oil Cup	1.0501
11	Handwheel	Ductile Iron
12	Lock Nut	1.0501
13	Bearing Gland	1.0501
14	Yoke Nut	ASTM A439 D-2
15	Nut	GA
16	Gland Eyebolt	GA
17	Nut	GA
18	Bolt	GA

DRW Industrietechnik GmbH

Bodenschwinger Str. 125

D-44357 Dortmund

Telefon: +49 2 31 - 92 71 44-0

info@drw-armaturen.de

www.drw-armaturen.de

