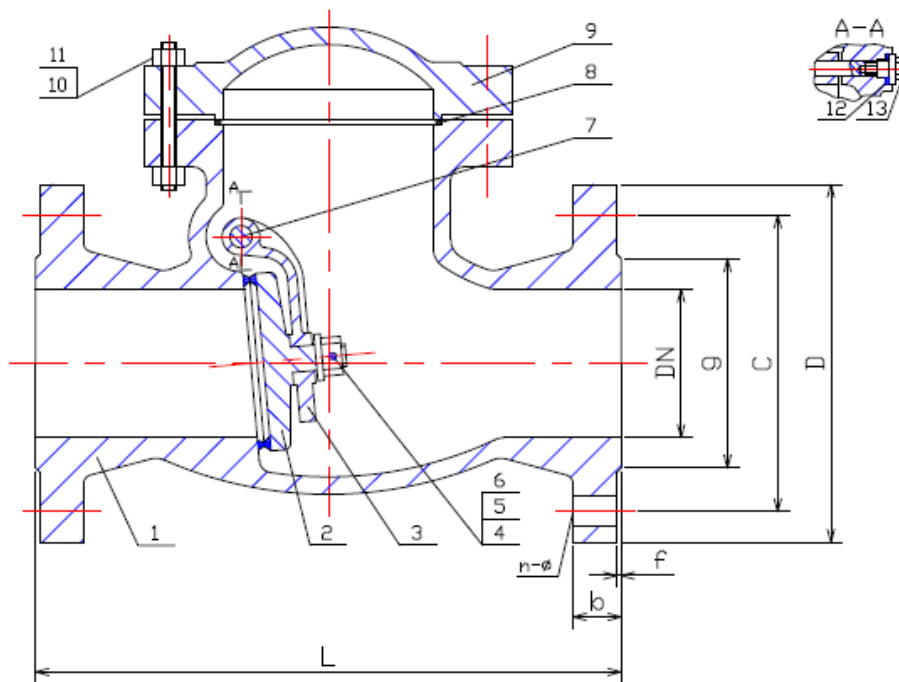


TYPE: DRK0302

Rückschlagklappe DN50 - DN500, PN25

Swing Check DN50 - DN500, PN25



Technical Specification:

1. Design and machining in accordance with EN14341
2. Inspection and test in accordance with EN12266-1
3. Face to Face dimension in acc. EN558-1 Gr.1
4. Dimension of connection end accordance with EN1092-1

DRW Industrietechnik GmbH

Bodelschwingher Str. 125

D-44357 Dortmund

Telefon: +49 2 31 - 92 71 44-0

info@drw-armaturen.de

www.drw-armaturen.de



Abmessungen / Dimensions:

DN	L	g	C	D	b	f	n-ø
50	230	102	125	165	20	3	4-18
65	290	122	145	185	22	2	8-18
80	310	138	160	200	24	3	8-18
100	350	162	190	235	24	3	8-22
125	400	188	220	270	26	3	8-26
150	480	218	250	300	28	3	8-26
200	600	278	310	360	30	3	12-26
250	730	335	370	425	32	3	12-30
300	850	395	430	485	34	4	16-30
350	980	450	490	555	38	4	16-33
400	1100	505	550	620	40	4	16-36
500	1250	615	660	730	44	4	20-36

Materialien / Materials:

No.	Part Name	Material
1	Body	1.0619+13%Cr
2	Disc	1.0619+13%Cr
3	Rocker	1.0619
4	Washer 1	1.4301
5	Nut	1.4301
6	Pin	1.4301
7	Hing Pin	1.4006
8	Gasket	1.4301+Graphite
9	Bonnet	1.0619
10	Studbolt	YK
11	Nut	YK
12	Washer 2	1.4301
13	Plug Nut	1.0460

DRW Industrietechnik GmbH

Bodenschwingher Str. 125

D-44357 Dortmund

Telefon: +49 2 31 - 92 71 44-0

info@drw-armaturen.de

www.drw-armaturen.de

