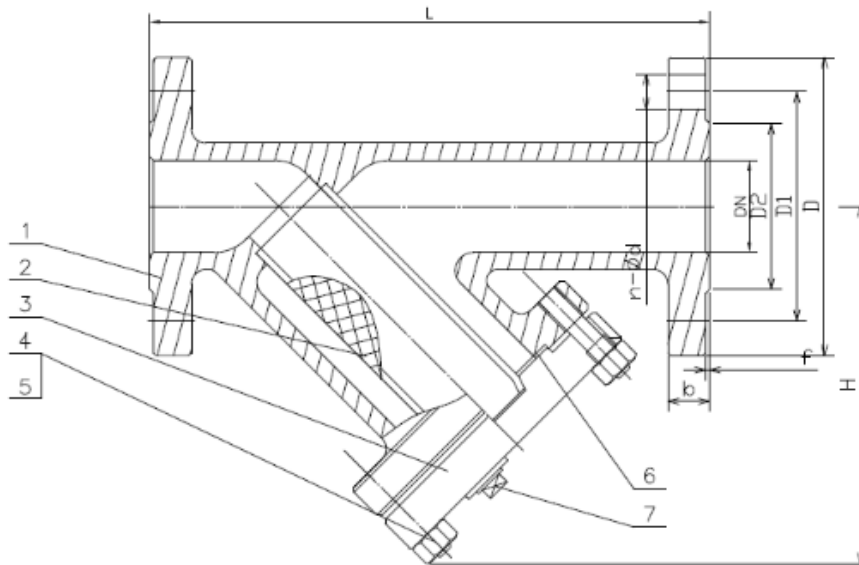


TYPE: DSF0109

Schmutzfänger DN15 - DN40, PN10

Strainer DN15 - DN40, PN10



Technical Specification:

1. Design and machining in accordance with EN1984
2. Inspection and test in accordance with EN12266-1
3. Face to Face dimension in accordance with EN558-1
4. Dimension of connection end accordance with EN1092-1

DRW Industrietechnik GmbH

Bodenschwinger Str. 125

D-44357 Dortmund

Telefon: +49 2 31 - 92 71 44-0

info@drw-armaturen.de

www.drw-armaturen.de



Abmessungen / Dimensions:

DN	L	H	D	D1	D2	n-ø	b	f	Plug
15	130	90	95	65	45	4-ø14	16	2	1/2"G
20	150	90	105	75	58	4-ø14	18	2	1/2"G
25	160	115	115	85	68	4-ø14	18	2	1/2"G
32	180	130	140	100	78	4-ø18	18	2	1/2"G
40	200	155	150	110	88	4-ø18	18	2	1/2"G

Materialien / Materials:

No.	Part Name	Material
1	Body	1.4408
2	Screen	1.4401
3	Bonnet	1.4408
4	Body Bolt	A4
5	Bonnet Nut	A4
6	Gasket	Graphite+1.4401
7	Plug	1.4401

DRW Industrietechnik GmbH

Bodenschwingher Str. 125

D-44357 Dortmund

Telefon: +49 2 31 - 92 71 44-0

info@drw-armaturen.de

www.drw-armaturen.de

